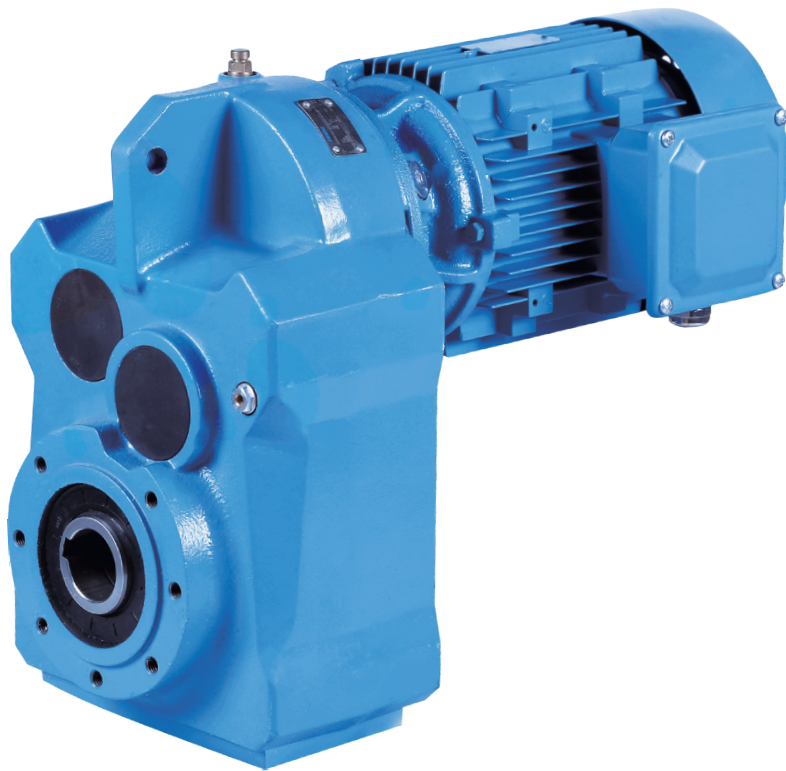


***BONENG***



## F Parallel Shaft Gearmotor

Modified date 04/2020  
Selection Sample C05.0034-EN

**Boneng Transmission**

**Boneng Transmission enhances reliable, accurate, efficient and intelligent operation in the industry**



Boneng Transmission More products: drive / motor / gear motor / gear box  
Please browse: [www.boneng.com](http://www.boneng.com)

## Note:

- ◆ The structure scheme, appearance diagram and other attached diagrams in sample are examples, there is no strict proportion requirement. (The unmarked dimension units are mm).
- ◆ The marked weight is average value, it has no constraint force.

## You must conform to the following instructions:

- ◆ To prevent accidents, all the rotation parts are added with protective covers according to the safety regulations of the nation and region.
- ◆ Before debugging, you should carefully read instruction book.
- ◆ Gearbox is on running—permission status when delivered, you should add lubrication oil before putting it into running.
- ◆ The marked oil quantity in sample is only reference value, actual oil filling quantity should be the same with the mark on oil immersion lens.
- ◆ Lubrication oil viscosity should be selected according to working situation and application environment temperature of gearmotor.
- ◆ You can only apply lubrication oil of internationally famous brand.

## Product Function Mark



Oil glass



Breather



Oil filler



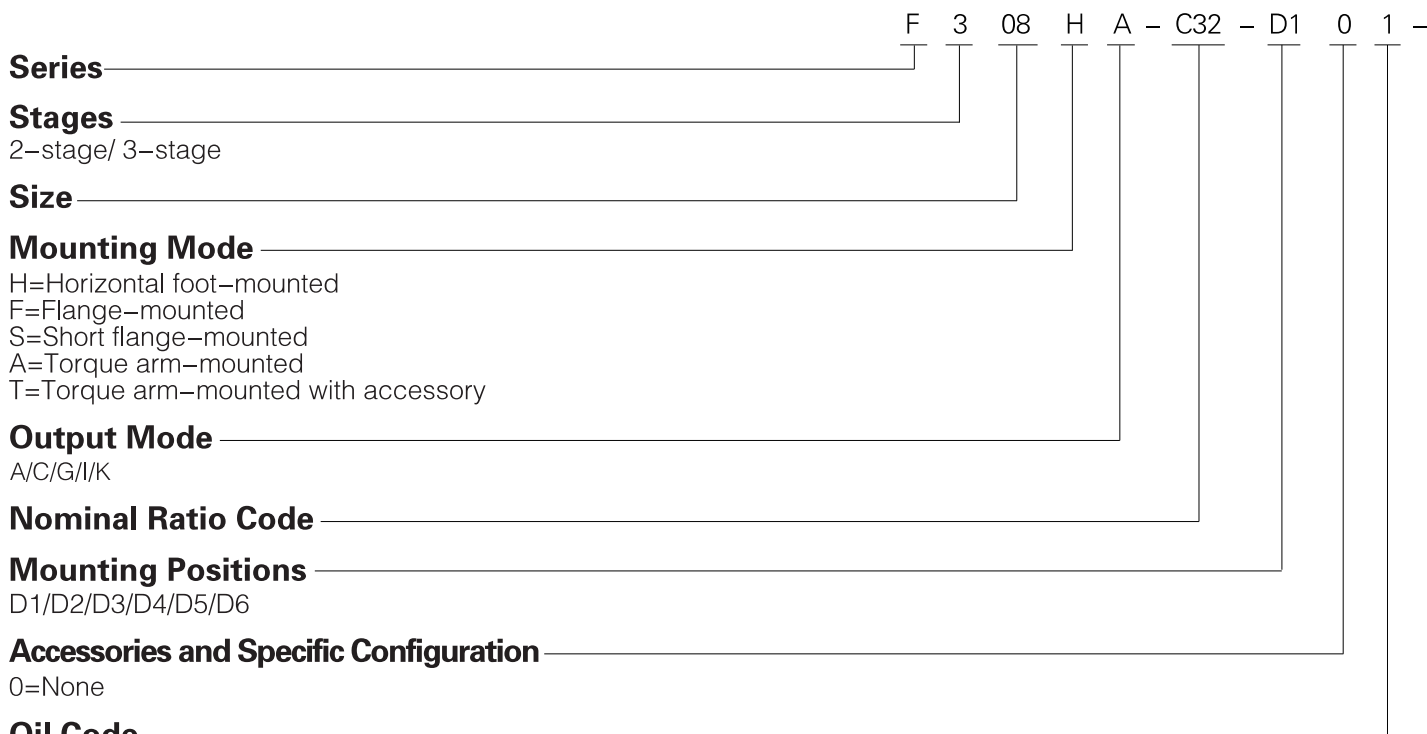
Oil drain

# Contents

▶-----	Type Designation	01
▶-----	Mounting Positions	03
▶-----	Type Selection and Example	05
▶-----	Transmission Capacity	07
▶-----	Permissible Radial Force	15
▶-----	Dimensions	17
▶-----	Input Flange and Input shaft	39
▶-----	Combi-type Dimensions	45
▶-----	Motor Rainproof Cover Dimensions	46
▶-----	Recommended Dimensions for Driven Equipment Shaft	47
▶-----	Shaft End Centre Hole	49
▶-----	Dimension of Parallel Key and Keyway	50
▶-----	Oil	51



# 1 Type Designation



0=Without oil filling(Please select this option when you do not need lubricating oil );  
 1=With mineral oil VG220(Please select this option when the ambient temperature is -20°C~+40°C, and you need lubricating oil );  
 5=With synthetic lubricating oil VG220(It is recommended to select this option when you need lubricating oil and the ambient temperature is below 0°C);

## Note <sup>1)</sup> Motor Type/Frame Size/Poles/Power Code

Power kW	4-pole Type	6-pole Type	Power kW	4-pole Type	6-pole Type	Power kW	4-pole Type	6-pole Type	Power kW	4-pole Type	6-pole Type
0.09	MS056M4A09		1.1	MS090S4B11 MH090S4B11 MP090S4B11 MA090S4B11	MH090S6B11 MP090M6B11	11	MH160S4C11 MP160M4C11 MA160M4C11	MH160M6C11 MP160M6C11	55	MH250M4C55 MP250M4C55 MA250M4C55	MH280M6C55 MP280M6C55
0.12	MH063M4A12 MP063M4A12 MA063M4A12		1.5	MS090S4B15 MH090S4B15 MP090M4B15 MA090M4B15	MH100M6B15 MP100M6B15	15	MH160M4C15 MP160L4C15 MA160L4C15	MH180M6C15 MP180M6C15	75	MH280S4C75 MP280S4C75 MA280S4C75	MH315S6C75 MP315S6C75
0.18	MH063M4A18 MP063M4A18 MA063M4A18	MH071M6A18 MP071M6A18	2.2	MS100M4B22 MH100M4B22 MP100M4B22 MA100M4B22	MH112M6B22 MP112M6B22	18.5	MH180M4C18 MP180M4C18 MA180M4C18	MH200M6C18 MP200M6C18	90	MH280M4C90 MP280M4C90 MA280M4C90	MH315M6C90 MP315M6C90
0.25	MH071M4A25 MP071M4A25 MA071M4A25	MH071M6A25 MP071M6A25	3	MS100M4B30 MH100M4B30 MP100M4B30 MA100M4B30	MH132S6B30 MP132S6B30	22	MH180L4C22 MP180L4C22 MA180L4C22	MH200M6C22 MP200M6C22	110	MH315S4D11 MP315S4D11	MH315L6D11
0.37	MH071M4A37 MP071M4A37 MA071M4A37	MH080M6A37 MP080M6A37	4	MS112M4B40 MH112L4B40 MP112L4B40 MA112L4B40	MH132M6B40 MP132S6B40	30	MH200M4C30 MP200M4C30 MA200M4C30	MH225M6C30 MP225M6C30	132	MH315M4D13 MP315M4D13	MH315L6D13
0.55	MS080M4A55 MH080M4A55 MP080M4A55 MA080M4A55	MH080M6A55 MP080M6A55	5.5	MS132S4B55 MH132S4B55 MP132M4B55 MA132M4B55	MH132M6B55 MP132M6B55	37	MH225M4C37 MP225M4C37 MA225M4C37	MH250M6C37 MP250M6C37	160	MH315L4D16 MP315L4D16	
0.75	MS080M4A75 MH080M4A75 MP080M4A75 MA080M4A75	MH090S6A75 MP090S6A75	7.5	MS132M4B75 MH132M4B75 MP132L4B75 MA132L4B75	MH160S6B75 MP160S6B75	45	MH225M4C45 MP225M4C45 MA225M4C45	MH280S6C45 MP280S6C45	200	MH315L4D20 MP315L4D20	

MH 132S 4 B55 A C 3 - A 0 N 0 0 - 0 1 1

### Cable Entry Position

1/2/3/4

### Terminal Box Position

1/2/3/4

### Motor mounting Position 0

### Motor protection

0=IP55 and Without rainproof cover    2=IP56 and Without rainproof cover    4=IP65 and Without rainproof cover  
1=IP55 and With rainproof cover    3=IP56 and With rainproof cover    5=IP65 and With rainproof cover

### Thermal Protection and Heating Protection

0=Without thermal protection and heating Protection    2=Thermal switch    5=Thermistor and heating belt  
1=Thermistor    3= PT100 temperature sensor    6=Thermal switch and heating belt  
4=Heating belt    7= PT100 temperature sensor and heating belt

### Brake

N=Without brake

A=Brake 220-240VAC

B=Brake 380-415VAC

C=Brake 440-480VAC

D=Brake with release handle 220-240VAC

E=Brake with release handle 380-415VAC

F=Brake with release handle 440-480VAC

G=Brake with self-lock device 220-240VAC

H=Brake with self-lock device 380-415VAC

J=Brake with self-lock device 440-480VAC

K=Brake with micro switch 220-240VAC

L=Brake with micro switch 380-415VAC

M=Brake with micro switch 440-480VAC

P=Double-brakes 220-240VAC

Q=Double-brakes 380-415VAC

X=Double-brakes 440-480VAC

R=Double-brakes with release handle 220-240VAC

S=Double-brakes with release handle 380-415VAC

T=Double-brakes with release handle 440-480VAC

### Encoder

0=Without encoder

1=With encoder

### Cooling

A=Self-fan cooling

F=Driven fan

### Frequency/Voltage Code

1=50Hz 220V $\Delta$ /380VY

2=50Hz 230V $\Delta$ /400VY

3=50Hz 380V $\Delta$ /660VY

4=50Hz 400V $\Delta$ /690VY

A=50Hz 240V $\Delta$ /415VY

B=50Hz 415V $\Delta$

5=60Hz 440V $\Delta$

6=60Hz 460V $\Delta$

7=60Hz 440V Y

8=60Hz 460VY

C=60Hz 480VY

D=60Hz 480V $\Delta$

E=60Hz 220V $\Delta$ /380VY

F=60Hz 380V $\Delta$

G=60Hz 230VY

H=60Hz 230V $\Delta$

J=60Hz 575VY

K=60Hz 575V $\Delta$

Note: 3kW and below "Y", alternative code: 1,2,7,8,A,C,E;

4kW and above " $\Delta$ ", alternative code: 3,4,5,6,B,D,F.

MA motor exclusive code: 6,8,G,H,J,K.

### Frame Material

L=Die-casting aluminum frame(standard configuration of 100 and below)

C=Grey cast iron frame(standard configuration of 112 and above)

### Mounting Mode A

### Power Code<sup>1)</sup>

### Motor Poles<sup>1)</sup>

4=4-pole; 6=6-pole

### Frame Size<sup>1)</sup>

### Motor Type<sup>1)</sup>

MS=Three-phase asynchronous motor (IE1)

MH=High efficiency three-phase asynchronous motor (IE2)

MP=Premium Efficiency three-phase asynchronous motor (IE3)

MA=NEMA efficiency three-phase asynchronous motor

YZ=Crane and metallurgical applications three-phase asynchronous motor

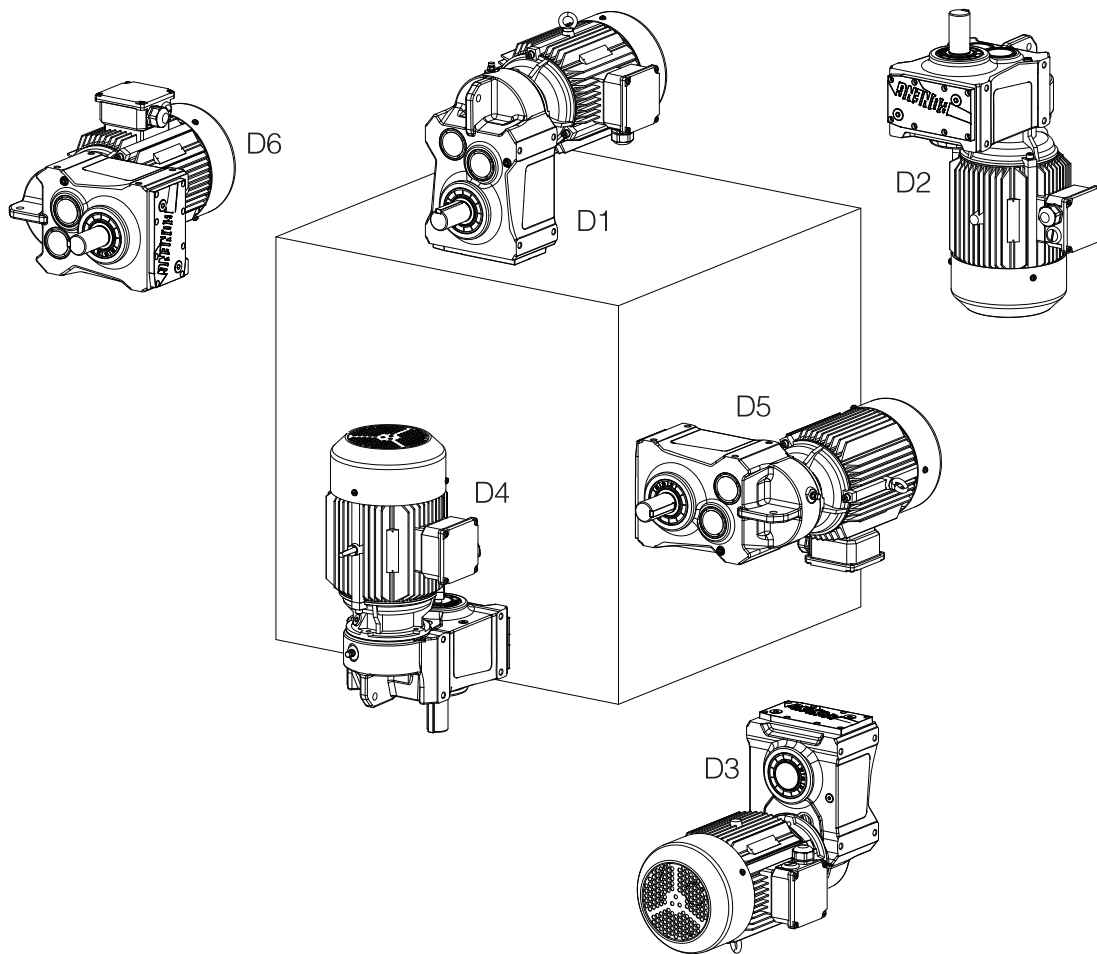
YG=Variable-frequency three-phase induction motor for roll table application

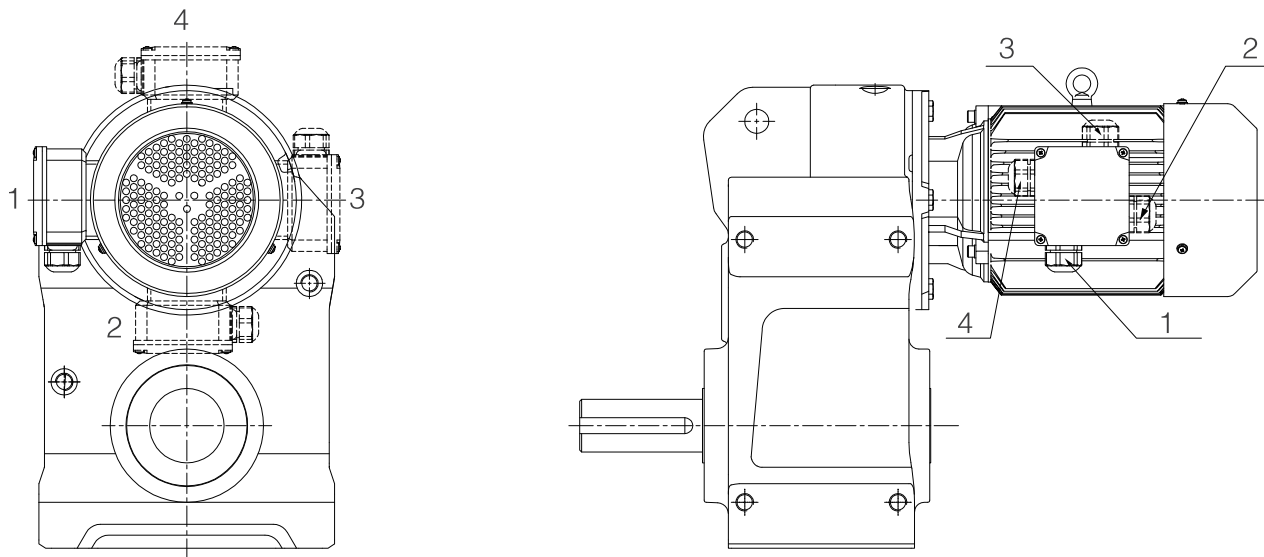
◆ **Example of product type with input flange or input shaft:** F308HA-C32-D101-AE3

◆ **Example of product type with input flange and motor type:** F308HA-C32-D101-AP132-MH132S4B55FC3-A0N00-011

◆ **Combi-type Designation:** F308HA/C205-D28-D100-MH080M4A75AL1-A0N00-011

## 2 Mounting Positions



**Motor terminal box and cable entry position ( View :Motor afterbody )**

**Assembly colour of gearmotor  ( RAL5015 )**

### 3 Type Selection and Example

Step	Description	Symbol	Parameters Calculation and Guideline			
1	Driven Machine Factor	$f_1$	Load Characteristic	Operating hours per day (h)		
				$\leq 2$	2~10	10~24
			Uniform	1.00(1.00)	1.00(1.25)	1.25(1.50)
			Moderate	1.00(1.25)	1.25(1.50)	1.50(1.75)
			Heavy	1.25(1.50)	1.50(1.75)	1.75(2.00)
			Note: Apply values in the brackets when starts per hour are 10 times or more.			
2	Input Speed	$n_1$	$\leq 1800\text{rpm}$ Consult us if higher speed required.			
3	Calculation of the Ratio	$i$	$i=n_1/n_2$ ( $n_2$ : Output speed )			
4	Transmission Efficiency	$\eta$	F2.. 2-stage: 96% F3.. 3-stage: 94%			
5	Calculation of the input power of the gearunit on basis of the torque and power required by the driven machine.	$P_1$	$P_1=T_2 \cdot n_1/(9550 \cdot i \cdot \eta)$ or $P_1=P_2/\eta$			
6	Determination of gearunit type referring to the table of transmission capacity after calculation, For directly-connected motor, require to refer to directly-connected motor power table.	$T_{2N}$ 、 $P_{1N}$	$T_{2N} \geq T_2 \cdot f_1$ or $P_{1N} \geq P_1 \cdot f_1$			
7	Check the radial and axial forces on the shafts.	$F_{r1}/F_{r2}$ $F_{a1}/F_{a2}$	See the table of Radial Force on Output Shaft ( $F_{r2}$ ) on P15			
8	Determination of Lubrication system	/	Generally Splash Lubrication			
9	Determination of Cooling System	/	Generally Air Cooling			
10	Determination of every item included in the Type Designation	/	For details about Type Designation, see P01			
11	Normal ambient conditions	/	Ambient temperature $-20$ to $40^\circ\text{C}$ , ample space, good ventilation, altitude not exceeding 1000m and common plant dust.			
12	Special ambient conditions	/	For higher or lower temperature, dusty sites, chemical reaction (acids, alkaline, etc), or open field (sunlight, ice, rain, etc), please consult us!			

## Example

### ◆ Known Criteria:

- 1、 Load characteristics by the driven machine :  
Heavy, working 16 hours/d and starting 6 times/h;
- 2、 Normal motor: 4–pole,  
speed  $n_1=1450\text{r/min}$ ;
- 3、 The power required  $P_2=2.2\text{KW}$ ,  
speed  $n_2=51\text{ r/min}$ ;
- 4、 Mounting mode: flange–mounted,unidirectional output shaft A,  
mounting position D1, motor terminal box 1, cable entry position 4.

### ◆ Selection steps:

- 1、 By referring to the table of Load Characteristic,  
we get the driven machine factor  $f_1=1.75$ ;
- 2、 Calculation of the Ratio  $i_N$ :  
 $i=n_1/ n_2=1450/51=28.4$ , nominal ratio  $i_N=28$ ;
- 3、 Calculation of the input power and determination of the motor power  
( transmission efficiency  $\eta =94\%$ ):  
 $P_1 \geq P_2 / \eta =2.2/0.94=2.3\text{kW}$ , so 3kW motor is selected.  
Refer to the directly–connected motor power table,  
it can be directly–connected;
- 4、 Determination of the nominal power of the geared motor  $P_{1N}$ :  
 $P_{1N} \geq P_2 \cdot f_1 / \eta =2.3 \times 1.75/0.94=4.1\text{kW}$ ;
- 5、 The type selected: F306FA–C28–D100–MS100M4B30ALV2–A0N00–D14

## 4 Transmission Capacity

### 4.1 F Transmission capacity

F...(i<sub>N</sub>=4–250)

Nominal Input Speed	Nominal Output Speed	Nominal Ratio Code	Nominal Ratio	Rated Output Torque	Exact Ratio	Rated Input Power	Rated Output Torque	Exact Ratio	Rated Input Power
n <sub>1N</sub> (r/min)	n <sub>2N</sub> (r/min)	Code	i <sub>N</sub>	T <sub>2N</sub> (N. m)	i <sub>ex</sub>	P <sub>1N</sub> (kW)	T <sub>2N</sub> (N. m)	i <sub>ex</sub>	P <sub>1N</sub> (kW)
				F202 F302			F203 F303		
1450	363	B40	4	130	3.95	4.99	160	4.13	5.9
	322	B45	4.5	140	4.46	4.77	170	4.63	5.6
	290	B50	5	140	5.08	4.19	185	5.23	5.4
	259	B56	5.6	150	5.74	3.97	220	5.81	5.8
	230	B63	6.3	150	6.50	3.50	220	6.66	5.0
	204	B71	7.1	150	7.00	3.25	220	7.32	4.57
	181	B80	8	150	7.80	2.92	220	8.25	4.05
	161	B90	9	150	8.79	2.59	220	9.03	3.70
	145	C10	10	150	10.0	2.27	220	10.1	3.30
	129	C11	11.2	150	11.3	2.01	220	11.4	2.92
	116	C13	12.5	150	12.8	1.78	220	12.7	2.63
	104	C14	14	150	13.8	1.65	240	14.6	2.50
	90.6	C16	16	150	16.0	1.42	240	16.0	2.28
	80.6	C18	18	150	17.7	1.29	240	18.0	2.02
	72.5	C20	20	150	19.9	1.14	240	19.3	1.89
	64.7	C22	22.4	150	22.7	1.00	240	22.5	1.62
	58.0	C25	25	150	25.7	0.89	240	25.5	1.43
	51.8	C28	28	150	29.1	0.78	240	28.9	1.26
	46.0	C32	31.5	150	31.3	0.73	240	31.1	1.17
	40.8	C36	35.5	150	34.9	0.65	240	34.8	1.05
	36.3	C40	40	150	39.3	0.58	240	38.4	0.95
	32.2	C45	45	150	44.8	0.51	240	43.3	0.84
	29.0	C50	50	150	50.6	0.45	240	49.3	0.74
	25.9	C56	56	150	57.3	0.40	240	55.8	0.65
	23.0	C63	63	150	61.7	0.37	240	63.1	0.58
20.4	C71	71	150	72.3	0.32	240	68.0	0.54	
18.1	C80	80	150	81.9	0.28	240	79.6	0.46	
16.1	C90	90	150	90.3	0.25	240	90.2	0.40	
14.5	D10	100	150	98.7	0.23	240	99.4	0.37	
12.9	D11	112	150	107.9	0.21	240	108.7	0.34	
11.6	D13	125				240	118.8	0.31	
10.4	D14	140							
9.06	D16	160							
8.06	D18	180							
7.25	D20	200							
6.47	D22	224							
5.80	D25	250							
960	12.0	C80	80	150	81.9	0.19	240	79.6	0.30
	10.7	C90	90	150	90.3	0.17	240	90.2	0.26
	9.6	D10	100	150	98.7	0.15	240	99.4	0.24
	8.54	D11	112	150	107.9	0.14	240	108.7	0.23
	7.68	D13	125				240	118.8	0.21
	6.89	D14	140						
	6	D16	160						
	5.34	D18	180						
	4.80	D20	200						
4.28	D22	224							
3.84	D25	250							

Note:(1) Above the red line are two-stage transmission gearmotor models,model name F2...;  
 Below the red line are three-stage transmission gearmotor models,model name F3...;  
 (2) Actual output speed of the gearmotor:Actual input speed (n1)/Exact ration (i<sub>ex</sub>);  
 (3) Rated input power corresponding to actual input speed of the gearmotor:P<sub>1N</sub>=T<sub>2N</sub>\*n1/ ( 9550\*i<sub>ex</sub>),the rated output torque T<sub>2N</sub> in the formula remains unchanged.

Rated Output Torque	Exact Ratio	Rated Input Power	Rated Output Torque	Exact Ratio	Rated Input Power	Rated Output Torque	Exact Ratio	Rated Input Power
$T_{2N}$ (N.m)	$i_{ex}$	$P_{1N}$ (kW)	$T_{2N}$ (N.m)	$i_{ex}$	$P_{1N}$ (kW)	$T_{2N}$ (N.m)	$i_{ex}$	$P_{1N}$ (kW)
F204 F304			F205 F305			F206 F306		
			500	3.81	19.9	560	4.12	20.6
280	4.54	9.4	520	4.37	18.1	580	4.69	18.8
300	5.20	8.8	550	4.96	16.8	600	5.21	17.5
310	5.91	8.0	580	5.55	15.9	600	5.40	16.9
310	6.61	7.1	610	6.18	15.0	660	6.14	16.3
330	7.36	6.8	610	6.79	13.6	660	6.81	14.7
390	8.09	7.3	650	8.00	12.3	700	7.97	13.3
390	9.19	6.4	650	9.10	10.8	700	9.07	11.7
390	9.85	6.0	650	10.2	9.7	700	10.1	10.6
410	11.2	5.6	650	11.3	8.7	750	11.5	9.9
410	12.5	4.97	650	12.5	7.9	830	13.0	9.7
410	13.9	4.47	650	14.1	7.0	850	13.4	9.6
410	15.3	4.06	650	15.5	6.4	900	15.3	8.9
410	17.4	3.58	660	17.6	5.7	900	18.7	7.3
410	19.0	3.27	660	19.8	5.1	900	20.0	6.8
440	21.6	3.09	680	22.2	4.65	900	22.0	6.2
440	24.3	2.75	680	25.1	4.12	900	25.2	5.4
480	27.3	2.67	700	27.8	3.82	900	26.8	5.1
480	30.8	2.36	700	31.9	3.33	900	31.6	4.33
480	34.2	2.13	700	35.0	3.03	900	36.2	3.78
480	39.2	1.86	700	39.3	2.71	900	41.1	3.32
420	43.0	1.48	700	44.4	2.40	900	46.0	2.97
420	48.3	1.32	700	49.2	2.16	900	51.2	2.67
420	54.6	1.17	700	56.4	1.88	900	55.3	2.47
430	60.6	1.08	700	62.0	1.71	900	61.8	2.21
430	69.4	0.94	700	69.9	1.52	900	68.8	1.99
430	76.3	0.86	700	74.7	1.42	900	75.7	1.81
430	86.0	0.76	700	86.8	1.22	900	85.9	1.59
430	91.9	0.71	700	97.7	1.09	900	93.9	1.45
440	106.8	0.63	700	106.7	1.00	900	113.6	1.20
440	120.2	0.56	700	117.0	0.91	900	131.4	1.04
440	144.0	0.46	700	127.1	0.84	900	138.9	0.98
440	156.4	0.43				900	156.2	0.88
						900	166.2	0.82
						900	187.7	0.73
430	76.3	0.57						
430	86.0	0.50						
430	91.9	0.47	700	97.7	0.72	900	93.9	0.96
440	106.8	0.42	700	106.7	0.66	900	113.6	0.79
440	120.2	0.37	700	117.0	0.60	900	131.4	0.69
440	144.0	0.30	700	127.1	0.56	900	138.9	0.65
440	156.4	0.28				900	156.2	0.58
						900	166.2	0.54
						900	187.7	0.48



## 4.1 F Transmission capacity

F...(i<sub>N</sub>=4-250)

Nominal Input Speed	Nominal Output Speed	Nominal Ratio Code	Nominal Ratio	Rated Output Torque	Exact Ratio	Rated Input Power	Rated Output Torque	Exact Ratio	Rated Input Power
n <sub>1N</sub> (r/min)	n <sub>2N</sub> (r/min)	Code	i <sub>N</sub>	T <sub>2N</sub> (N·m)	i <sub>ex</sub>	P <sub>1N</sub> (kW)	T <sub>2N</sub> (N·m)	i <sub>ex</sub>	P <sub>1N</sub> (kW)
				F207 F307			F208 F308		
1450	363	B40	4	850	4.01	32.2	2000	3.93	77
	322	B45	4.5	850	4.56	28.3	2200	4.30	78
	290	B50	5	880	4.88	27.4	2400	5.08	72
	259	B56	5.6	880	5.76	23.2	2500	5.70	67
	230	B63	6.3	900	6.48	21.1	2500	6.08	62
	204	B71	7.1	1000	7.10	21.4	2500	6.96	55
	181	B80	8	1000	8.20	18.5	2800	7.74	55
	161	B90	9	1000	8.75	17.4	2800	8.77	48.5
	145	C10	10	1100	10.4	16.1	3100	9.79	48.1
	129	C11	11.2	1300	11.3	17.4	3100	11.0	42.9
	116	C13	12.5	1400	12.7	16.7	3100	11.7	40.2
	104	C14	14	1400	13.9	15.2	3100	13.4	35.1
	90.6	C16	16	1550	16.1	14.6	3100	14.9	31.6
	80.6	C18	18	1550	17.2	13.7	3100	16.9	27.9
	72.5	C20	20	1600	19.7	12.3	3100	18.9	24.9
	64.7	C22	22.4	1600	22.6	10.7	3200	21.6	22.5
	58.0	C25	25	1600	25.5	9.5	3200	24.1	20.1
	51.8	C28	28	1600	28.3	8.6	3200	27.4	17.7
	46.0	C32	31.5	1600	32.5	7.5	3200	31.8	15.3
	40.8	C36	35.5	1700	36.5	7.1	3200	34.7	14.0
	36.3	C40	40	1700	38.7	6.7	3200	39.0	12.5
	32.2	C45	45	1700	44.4	5.8	3200	42.7	11.4
	29.0	C50	50	1700	50.0	5.2	3200	49.4	9.8
	25.9	C56	56	1700	55.6	4.64	3200	56.6	8.6
	23.0	C63	63	1700	63.8	4.05	3200	61.3	7.9
20.4	C71	71	1700	71.7	3.60	3200	66.8	7.3	
18.1	C80	80	1700	80.2	3.22	3500	82.3	6.5	
16.1	C90	90	1700	89.3	2.89	3500	95.1	5.6	
14.5	D10	100	1700	97.8	2.64	3500	101.4	5.2	
12.9	D11	112	1700	106.4	2.43	3500	117.1	4.54	
11.6	D13	125	1700	119.6	2.16	3500	133.2	3.99	
10.4	D14	140	1700	131.0	1.97	3500	148.0	3.59	
9.06	D16	160	1700	153.8	1.68	3500	166.4	3.19	
8.06	D18	180	1700	170.9	1.51	3500	183.1	2.90	
7.25	D20	200	1700	188.0	1.37	3500	200.1	2.66	
6.47	D22	224	1700	212.0	1.22	3300	231.7	2.16	
5.80	D25	250	1700	249.4	1.04	3300	255.6	1.96	
960	12.0	C80	80						
	10.7	C90	90						
	9.6	D10	100						
	8.54	D11	112						
	7.68	D13	125	1700	119.6	1.43	3500	133.2	2.64
	6.89	D14	140	1700	131.0	1.3	3500	148.0	2.38
	6	D16	160	1700	153.8	1.11	3500	166.4	2.11
	5.34	D18	180	1700	170.9	1.00	3500	183.1	1.92
	4.80	D20	200	1700	188.0	0.91	3500	200.1	1.76
4.28	D22	224	1700	212.0	0.81	3300	231.7	1.43	
3.84	D25	250	1700	249.4	0.69	3300	255.6	1.30	

Note:(1) Above the red line are two-stage transmission gearmotor models,model name F2...;  
 Below the red line are three-stage transmission gearmotor models,model name F3...;  
 (2) Actual output speed of the gearmotor:Actual input speed (n1)/Exact ration (i<sub>ex</sub>);  
 (3) Rated input power corresponding to actual input speed of the gearmotor:P<sub>1N</sub>=T<sub>2N</sub>\*n1/ ( 9550\*i<sub>ex</sub>),the rated output torque T<sub>2N</sub> in the formula remains unchanged.

Rated Output Torque	Exact Ratio	Rated Input Power	Rated Output Torque	Exact Ratio	Rated Input Power	Rated Output Torque	Exact Ratio	Rated Input Power	Rated Output Torque	Exact Ratio	Rated Input Power
$T_{2N}$ (N·m)	$i_{ex}$	$P_{1N}$ (kW)	$T_{2N}$ (N·m)	$i_{ex}$	$P_{1N}$ (kW)	$T_{2N}$ (N·m)	$i_{ex}$	$P_{1N}$ (kW)	$T_{2N}$ (N·m)	$i_{ex}$	$P_{1N}$ (kW)
F209 F309			F210 F310			F212 F312			F215 F315		
3000	3.97	115									
3000	4.68	97									
3200	5.08	96	4300	5.04	130	7000	4.88	218			
3400	5.93	87	4300	5.72	114	7500	5.43	210			
3600	6.57	83	4500	6.67	102	7500	6.11	186	16000	6.28	387
3600	7.10	77	4500	7.41	92	8500	7.04	183	16000	7.08	343
4000	7.95	76	5000	7.74	98	8500	7.77	166	16000	8.18	297
4000	9.37	65	5000	8.78	86	9000	8.61	159	18000	9.33	293
4500	10.2	67	5000	10.2	74	10000	9.58	159	18000	10.0	273
4500	11.9	58	5500	11.4	73	10000	10.9	140	18000	10.8	253
4500	13.2	52	5500	12.7	66	11000	12.4	135	18000	12.5	219
4500	13.9	49.0	6000	14.0	65	11000	13.7	122	19000	14.0	207
4700	15.9	45.0	6000	15.2	60	11000	15.1	110	19000	15.7	183
4700	17.7	40.2	6000	17.5	52	11000	16.8	99	19000	17.4	166
4700	19.7	36.2	6000	19.8	46.1	12000	19.1	95	19000	19.6	147
4700	22.4	31.8	7000	22.0	48.3	12000	21.2	86	20000	21.7	140
4700	24.0	29.8	7500	24.4	46.7	12000	24.3	75	20000	24.2	125
4700	27.4	26.0	8200	27.7	45.0	12000	27.6	66	20000	27.1	112
4700	30.5	23.4	8200	32.6	38.2	12000	32.2	57	20000	30.1	101
4700	33.9	21.0	8200	35.4	35.2	12000	35.7	51	20000	34.0	89
4700	40.1	17.8	8200	41.3	30.1	12000	39.8	45.8	20000	39.1	78
4700	44.9	15.9	8200	45.8	27.2	12000	44.0	41.4	20000	43.2	70
4700	48.0	14.9	8200	50.1	24.9	12000	48.5	37.6	20000	47.8	63
4700	54.9	13.0	8200	54.3	22.9	12000	56.5	32.2	20000	53.2	57
4700	61.0	11.7	8200	63.4	19.6	12000	62.8	29.0	20000	61.7	49.2
4700	69.2	10.3	8200	70.3	17.7	12000	70.0	26.0	20000	68.3	44.5
4700	77.6	9.2	8200	74.5	16.7	12000	77.3	23.6	20000	76.0	40.0
4700	88.5	8.1	8200	84.7	14.7	12000	83.8	21.7	20000	86.3	35.2
4700	94.4	7.6	8200	94.8	13.1	12000	96.4	18.9	20000	95.8	31.7
4700	108.4	6.6	8200	105.2	11.8	12000	109.2	16.7	20000	108.8	27.9
4700	122.0	5.9	8200	123.2	10.1	12000	121.5	15.0	20000	124.9	24.3
4700	134.7	5.3	8200	132.4	9.4	12000	134.5	13.5	20000	141.3	21.5
4700	151.5	4.71	8200	148.9	8.4	12000	157.0	11.6	20000	155.1	19.6
4700	175.5	4.07	8200	171.3	7.3	12000	166.6	10.9	20000	171.3	17.7
4700	193.9	3.68	8200	190.6	6.5	10000	188.9	8.0			
4700	218.0	3.27	8200	224.2	5.6	10000	215.6	7.0			
4700	237.2	3.01									
4700	156.1	3.03	8200	148.9	5.6	12000	157.0	7.7	20000	155.1	13.0
4700	175.5	2.69	8200	171.3	4.83	12000	166.6	7.2	20000	171.3	11.7
4700	193.9	2.44	8200	190.6	4.3	10000	188.9	5.3			
4700	218.0	2.16	8200	224.2	3.71	10000	215.6	4.63			
4700	237.2	1.99									

## 4.2 F.../C... Combi-type transmission capacity

F.../C...(i<sub>N</sub>=125-18000)

Nominal Input Speed	Nominal Output Speed	Nominal Ratio Code	Nominal Ratio	Rated Output Torque	Exact Ratio	Rated Input Power	Rated Output Torque	Exact Ratio	Rated Input Power	
n <sub>1N</sub> (r/min)	n <sub>2N</sub> (r/min)	Code	i <sub>N</sub>	T <sub>2N</sub> (N·m)	i <sub>ex</sub>	P <sub>1N</sub> (kW)	T <sub>2N</sub> (N·m)	i <sub>ex</sub>	P <sub>1N</sub> (kW)	
1450	11.60	D13	125	150	124.0	0.18	240	124.0	0.29	
	10.36	D14	140	150	146.4	0.16	240	146.4	0.25	
	9.06	D16	160	150	163.2	0.14	240	163.2	0.22	
	8.06	D18	180	150	182.4	0.12	240	182.4	0.20	
	7.25	D20	200	150	193.6	0.12	240	193.6	0.19	
								F303/C201		
	6.47	D22	224	150	224.8		240	224.1	0.16	
	5.80	D25	250	150	238.7		240	238.0	0.15	
	5.18	D28	280	150	270.5		240	269.7	0.14	
	4.60	D32	315	150	319.3		240	318.4	0.11	
	4.08	D36	355	150	356.0		240	355.0	0.10	
	3.63	D40	400	150	397.9		240	396.7		
	3.22	D45	450	150	422.3		240	421.1		
								F302/C301		
	2.90	D50	500	150	502.6		240	501.1		
	2.59	D56	560	150	575.9		240	574.2		
	2.30	D63	630	150	656.1		240	654.2		
	2.04	D71	710	150	712.0		240	709.9		
	1.81	D80	800	150	774.8		240	772.6		
	1.61	D90	900	150	858.5		240	856.1		
	1.45	E10	1000	150	959.8		240	957		
	1.29	E11	1120	150	1127		240	1124		
	1.16	E13	1250	150	1235		240	1232		
	1.04	E14	1400	150	1340		240	1336		
	0.91	E16	1600	150	1616		240	1611		
	0.81	E18	1800	150	1808		240	1803		
	0.73	E20	2000	150	1920		240	1914		
	0.65	E22	2240	150	2184		240	2234		
	0.58	E25	2500	150	2369		240	2423		
	0.52	E28	2800	150	2857		240	2922		
	0.46	E32	3150	150	3196		240	3269		
	0.41	E36	3550	150	3394		240	3471		
	0.36	E40	4000	150	3751		240	3836		
0.32	E45	4500	150	4399		240	4499			
0.29	E50	5000	150	4998		240	5111			
0.26	E56	5600	150	5393		240	5515			
0.23	E63	6300	150	6438		240	6431			
0.20	E71	7100	150	7314		240	7306			
0.18	E80	8000	150	7892		240	7883			
0.16	E90	9000								
0.15	F10	10000								
0.13	F11	11200								
0.12	F13	12500								
0.10	F14	14000								
0.09	F16	16000								
0.08	F18	18000								



### F.../C... Combi-type transmission capacity

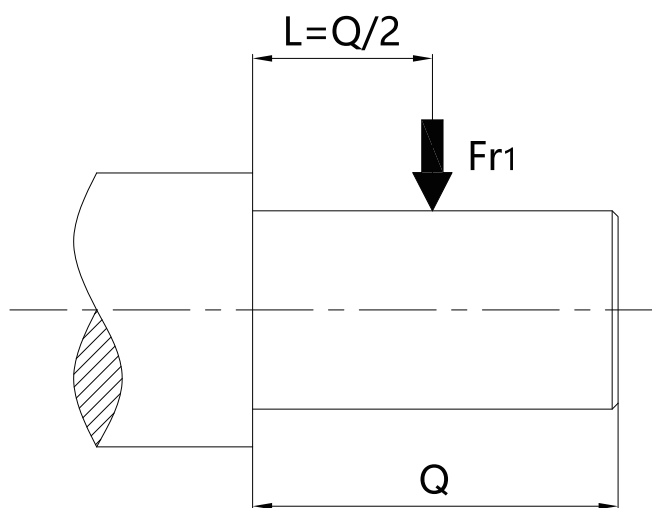
F.../C...(i<sub>N</sub>=125-18000)

Nominal Input Speed	Nominal Output Speed	Nominal Ratio Code	Nominal Ratio	Rated Output Torque	Exact Ratio	Rated Input Power	Rated Output Torque	Exact Ratio	Rated Input Power	Rated Output Torque	Exact Ratio	Rated Input Power
n <sub>1N</sub> (r/min)	n <sub>2N</sub> (r/min)	Code	i <sub>N</sub>	T <sub>2N</sub> (N·m)	i <sub>ex</sub>	P <sub>1N</sub> (kW)	T <sub>2N</sub> (N·m)	i <sub>ex</sub>	P <sub>1N</sub> (kW)	T <sub>2N</sub> (N·m)	i <sub>ex</sub>	P <sub>1N</sub> (kW)
1450	11.60	D13	125									
	10.36	D14	140									
	9.06	D16	160	1550	164.2	1.43	3100	143.9	3.27	4700	153.6	4.65
	8.06	D18	180	1550	180.3	1.31	3100	160.9	2.92	4700	171.7	4.16
	7.25	D20	200	1550	202.9	1.16	3100	178.8	2.63	4700	190.8	3.74
	6.47	D22	224	1700	230.7	1.12	3200	226.2	2.15	4700	221.0	3.23
	5.80	D25	250	1700	259.2	1.00	3200	251.6	1.93	4700	245.8	2.90
	5.18	D28	280	1700	292.7	0.88	3200	276.9	1.75	4700	270.5	2.64
	4.60	D32	315	1700	324.9	0.79	3200	314.4	1.55	4700	307.1	2.32
	4.08	D36	355	1700	372.3	0.69	3200	335.2	1.45	4700	327.5	2.18
	3.63	D40	400	1700	408.8	0.63	3200	374.8	1.30	4700	366.1	1.95
	3.22	D45	450	1700	459.9	0.56	3200	416.4	1.17	4700	406.8	1.75
	2.90	D50	500	1700	492.8	0.52	3200	520.5	0.93	4700	508.5	1.40
	2.59	D56	560	1700	558.5	0.46	3200	569.1	0.85	4700	556.0	1.28
	2.30	D63	630	1700	631.5	0.41	3200	648.9	0.75	4700	633.9	1.13
	2.04	D71	710	1700	719.1	0.36	3200	690.5	0.70	4700	674.6	1.06
	1.81	D80	800	1700	810.3	0.32	3200	777.3	0.63	4700	759.4	0.94
	1.61	D90	900	1700	919.8	0.28	3200	874.4	0.56	4700	854	0.84
	1.45	E10	1000	1700	982	0.26	3200	985	0.49	4700	963	0.74
	1.29	E11	1120	1700	1106	0.23	3200	1093	0.44	4700	1068	0.67
	1.16	E13	1250	1700	1259	0.20	3200	1253	0.39	4700	1224	0.58
	1.04	E14	1400	1700	1427	0.18	3200	1378	0.35	4700	1346	0.53
	0.91	E16	1600	1700	1613	0.16	3200	1634	0.30	4700	1597	0.45
	0.81	E18	1800	1700	1737	0.15	3200	1815	0.27	4700	1773	0.40
	0.73	E20	2000	1700	2033	0.13	3200	2079	0.23	4700	2031	0.35
	0.65	E22	2240	1700	2201		3200	2213	0.22	4700	2202	0.32
	0.58	E25	2500	1700	2495		3200	2434	0.20	4700	2422	0.29
	0.52	E28	2800	1700	2820		3200	2887	0.17	4700	2873	0.25
	0.46	E32	3150	1700	3037		3200	3206	0.15	4700	3190	0.22
	0.41	E36	3550	1700	3554		3200	3672	0.13	4700	3654	0.20
	0.36	E40	4000	1700	4032		3200	4034	0.12	4700	4014	0.18
	0.32	E45	4500	1700	4440		3200	4548	0.11	4700	4526	0.16
	0.29	E50	5000	1700	4855		3200	4861		4700	4837	0.15
	0.26	E56	5600	1700	5308		3200	5652		4700	5624	0.13
	0.23	E63	6300	1700	6215		3500	7056		4700	6567	
	0.20	E71	7100	1700	6796		3500	7541		4700	7018	
	0.18	E80	8000	1700	7430		3500	8768		4700	8160	
	0.16	E90	9000				3500	9862		4700	9177	
	0.15	F10	10000				3500	10775		4700	10027	
	0.13	F11	11200				3500	11811		4700	10992	
	0.12	F13	12500				3500	12839		4700	11948	
	0.10	F14	14000									
	0.09	F16	16000									
	0.08	F18	18000									

Rated Output Torque	Exact Ratio	Rated Input Power	Rated Output Torque	Exact Ratio	Rated Input Power	Rated Output Torque	Exact Ratio	Rated Input Power
$T_{2N}$ (N·m)	iex	$P_{IN}$ (kW)	$T_{2N}$ (N·m)	iex	$P_{IN}$ (kW)	$T_{2N}$ (N·m)	iex	$P_{IN}$ (kW)
F210/C207			F212/C208			F215/C209		
6000	156.6	5.82	11000	157.0	10.6	19000	158.6	18.2
6000	176.3	5.17	11000	170.6	9.8	19000	179.0	16.1
F310/C207			F312/C207			F315/C209		
8200	199.7	6.24	11000	191.8	8.7	19000	190.0	15.2
8200	224.4	5.55	12000	226.3	8.0	20000	210.1	14.5
8200	252.8	4.93	12000	254.9	7.1	20000	240.0	12.7
8200	287.8	4.33	12000	290.2	6.3	20000	266.9	11.4
8200	319.0	3.90	12000	321.7	5.7	20000	302.9	10.0
8200	364.6	3.41	12000	367.7	5.0	20000	343.4	8.8
8200	410.6	3.03	12000	414.1	4.40	20000	387.6	7.8
F310/C307			F312/C307			F315/C309		
8200	446.0	2.79	12000	449.8	4.05	20000	411.4	7.4
8200	513.3	2.43	12000	517.7	3.52	20000	472.6	6.4
8200	545.2	2.28	12000	549.8	3.31	20000	523.6	5.8
8200	626.6	1.99	12000	631.9	2.88	20000	595.0	5.10
8200	732.8	1.70	12000	739.0	2.47	20000	666.4	4.56
8200	821.3	1.52	12000	828.2	2.20	20000	761.6	3.99
8200	938.1	1.33	12000	946.1	1.93	20000	812.6	3.74
F310/C307			F312/C307			F315/C309		
8200	1002	1.24	12000	1010	1.80	20000	948.6	3.20
8200	1147	1.09	12000	1157	1.58	20000	1098	2.77
8200	1306	0.95	12000	1317	1.38	20000	1197	2.54
8200	1345	0.93	12000	1357	1.34	20000	1346	2.26
8200	1543	0.81	12000	1557	1.17	20000	1476	2.06
8200	1752	0.71	12000	1767	1.03	20000	1703	1.78
8200	1961	0.63	12000	1978	0.92	20000	1819	1.67
8200	2339	0.53	12000	2317	0.79	20000	2172	1.40
8200	2409	0.52	12000	2386	0.76	20000	2443	1.24
8200	2764	0.45	12000	2738	0.67	20000	2678	1.13
8200	3138	0.40	12000	3109	0.59	20000	3091	0.98
8200	3512	0.35	12000	3479	0.52	20000	3301	0.92
8200	3912	0.32	12000	3875	0.47	20000	3912	0.78
8200	4299	0.29	12000	4258	0.43	20000	4263	0.71
8200	4882	0.26	12000	4836	0.38	20000	4800	0.63
8200	6074	0.20	12000	6016	0.30	20000	5257	0.58
8200	5743	0.22	12000	5682	0.32	20000	5963	0.51
8200	6522	0.19	12000	6453	0.28	20000	6714	0.45
8200	8114	0.15	12000	8028	0.23	20000	7353	0.41
8200	8622	0.14	12000	8531	0.21	20000	8501	0.36
8200	9969	0.12	12000	9863	0.18	20000	9062	0.34
8200	10545	0.12	12000	10433	0.17	20000	10468	0.29
8200	11858	0.10	12000	11732	0.16	20000	11901	0.26
8200	12612		12000	12478	0.15	20000	13221	0.23
8200	14247		12000	14095	0.13	20000	14869	0.20
						20000	16362	0.19

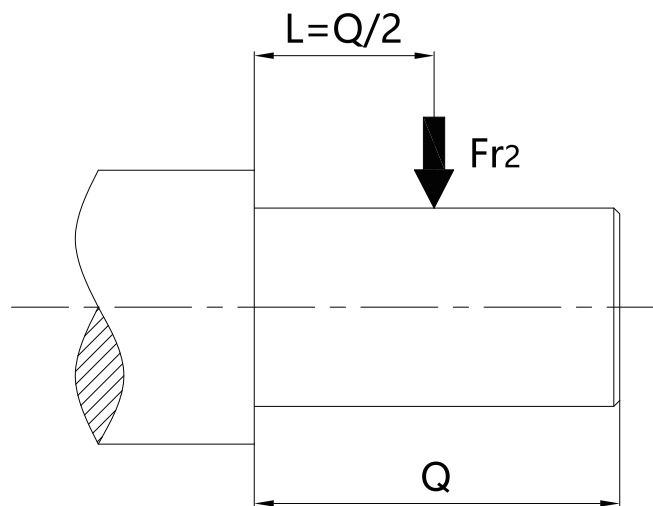
## 5 Permissible Radial Force

### 5.1 Radial force on input shaft (Fr1) (N)



	Fr1 (N)										
	F202 F302	F203 F303	F204 F304	F205 F305	F206 F306	F207 F307	F208 F308	F209 F309	F210 F310	F212 F312	F215 F315
AE2	803	803	803	803	803	803	803	/	/	/	/
AE3	/	/	/	1504	1504	1504	1504	1504	1504	/	/
AE4	/	/	/	/	/	2188	2188	2188	2188	2188	/
AE5	/	/	/	/	/	/	4207	4207	4207	4207	4207
AE6	/	/	/	/	/	/	/	5664	5664	5664	5664
AE7	/	/	/	/	/	/	/	/	/	9957	9957
AE8	/	/	/	/	/	/	/	/	/	12546	12546

## 5.2 Radial force on output shaft ( $Fr_2$ ) (N)



$n_{2N}$ (r/min)	$Fr_2$ (N)										
	F202 F302	F203 F303	F204 F304	F205 F305	F206 F306	F207 F307	F208 F308	F209 F309	F210 F310	F212 F312	F215 F315
315~425	1281	1827	2079	3986	7641	9140	9210	9380	/	/	/
280~315	1334	1908	2115	4104	7965	9320	9480	9540	14000	28530	/
224~280	1378	1971	2151	4220	8280	9510	9770	10080	15300	28800	29050
200~224	1423	2043	2223	4396	8694	9700	10060	10080	18990	28980	29640
180~200	1448	2115	2277	4549	9090	9890	10360	10530	20880	33300	30250
160~180	1478	2115	2646	5095	9810	10090	10670	11520	21600	32760	30850
140~160	1548	2214	2925	5478	10260	10290	11000	12240	22500	31500	31450
125~140	1623	2322	3096	5357	9270	10500	11320	12240	20610	30600	33150
112~125	1695	2475	3366	5586	9270	10710	11660	12250	21870	32760	37350
100~112	1745	2547	3555	5741	9270	10920	12010	13000	22050	32760	38250
90~100	1892	2763	3888	6003	9270	11140	12370	13760	22700	33840	40410
80~90	1961	2862	4005	6093	9270	11370	12740	14590	24300	36000	42300
71~80	2090	3051	4293	6308	9270	11600	13130	15460	25290	37800	45810
63~71	2157	3150	4527	6478	9270	11820	13520	16400	27000	37800	45900
56~63	2410	3519	4923	6755	9270	12060	13930	17380	28980	48600	55350
45~56	2503	3654	5247	6974	9270	12300	14340	18420	30330	42750	54720
40~45	2644	3861	5328	7028	9270	12550	14770	19520	34470	47340	71370
35.5~40	2644	3861	5328	7028	9270	12800	15220	23400	35550	49320	74070
31.5~35.5	2644	3861	5328	7028	9270	13050	15670	21240	37800	52110	79020
28~31.5	2644	3861	5328	7028	9270	13320	16150	23220	39150	55620	83520
25~28	2644	3861	5328	7028	9270	13580	16630	23220	41820	58770	88470
22.4~25	2644	3861	5328	7028	9270	13850	17130	26100	43020	60660	74250
≤22.4	2644	3861	5328	7028	9270	14130	17640	26910	44820	63450	78300

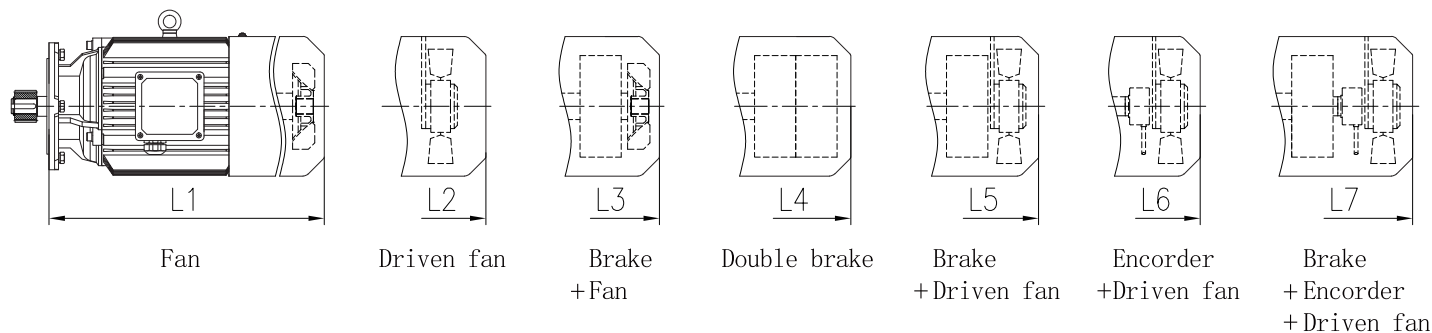


## 6 Dimensions

Mounting Mode	<b>F202/F302 Dimensions</b>					
Horizontal foot-mounted						
	<p>F202HA Unidirectional output shaft F302HA Unidirectional output shaft F202HC Bidirectional output shaft F302HC Bidirectional output shaft</p>	<p>F202HG Hollow shaft with parallel key F302HG Hollow shaft with parallel key</p>	<p>F202HI Hollow shaft with shrink disk F302HI Hollow shaft with shrink disk</p>	<p>F202HK Hollow shaft with involute spline F302HK Hollow shaft with involute spline</p>	<p>Horizontal foot-mounted (H) Weight:9kg ( Without motor and oil )</p>	
Flange-mounted						
	<p>F202FA Unidirectional output shaft F302FA Unidirectional output shaft F202FC Bidirectional output shaft F302FC Bidirectional output shaft</p>	<p>F202FG Hollow shaft with parallel key F302FG Hollow shaft with parallel key</p>	<p>F202FI Hollow shaft with shrink disk F302FI Hollow shaft with shrink disk</p>	<p>F202FK Hollow shaft with involute spline F302FK Hollow shaft with involute spline</p>	<p>Flange-mounted (F) Weight:12kg ( Without motor and oil )</p>	
Short flange-mounted						
		<p>F202SG Hollow shaft with parallel key F302SG Hollow shaft with parallel key</p>	<p>F202SI Hollow shaft with shrink disk F302SI Hollow shaft with shrink disk</p>	<p>F202SK Hollow shaft with involute spline F302SK Hollow shaft with involute spline</p>	<p>Short flange-mounted (S) Weight:10kg ( Without motor and oil )</p>	
Torque arm-mounted						
Torque arm-mounted with accessory		<p>F202AG Hollow shaft with parallel key F302AG Hollow shaft with parallel key F202TG Hollow shaft with parallel key F302TG Hollow shaft with parallel key</p>	<p>F202AI Hollow shaft with shrink disk F302AI Hollow shaft with shrink disk F202TI Hollow shaft with shrink disk F302TI Hollow shaft with shrink disk</p>	<p>F202AK Hollow shaft with involute spline F302AK Hollow shaft with involute spline F202TK Hollow shaft with involute spline F302TK Hollow shaft with involute spline</p>	<p>Torque arm-mounted (A) Weight:10kg ( Without motor and oil )</p>	<p>Torque arm-mounted with accessory (T) Weight:10kg ( Without motor and oil )</p>

Note:Involute spline size DIN 5480 : m1.25 × Z18 × α 30 × D25 × 9H

### Corresponding motor dimension table for F202/F302



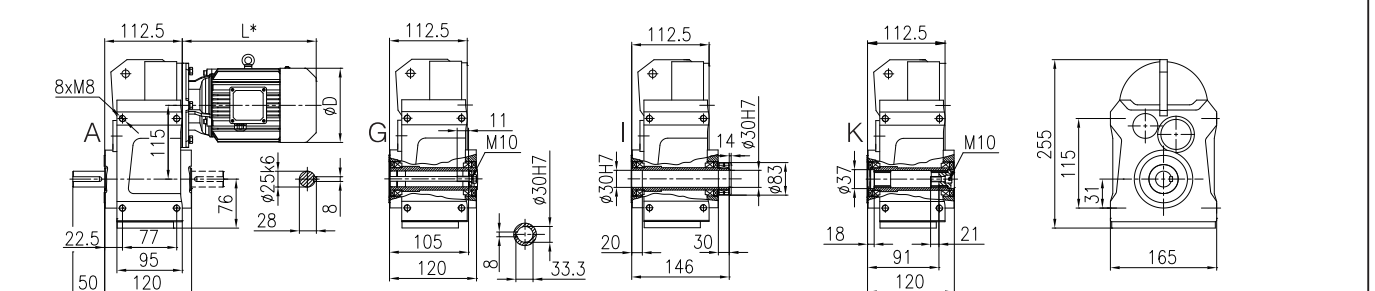
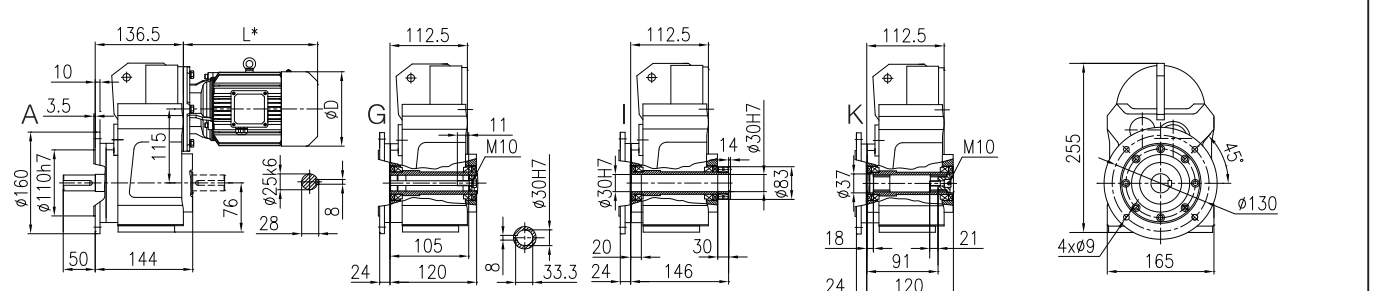
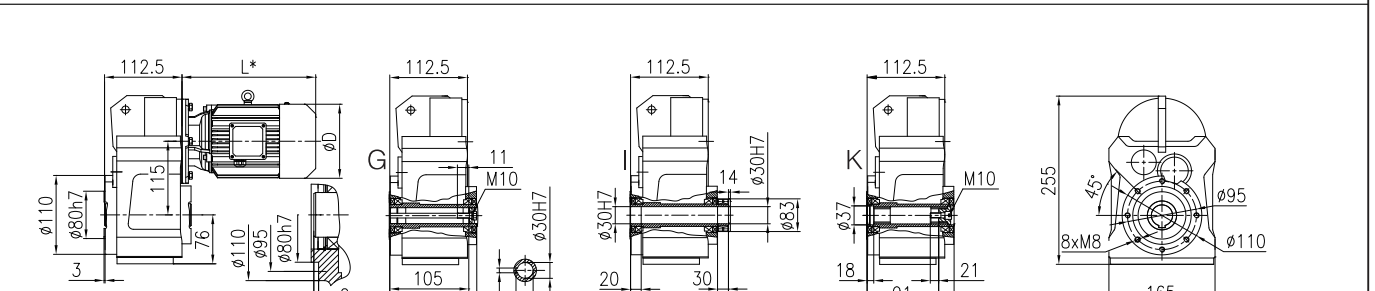
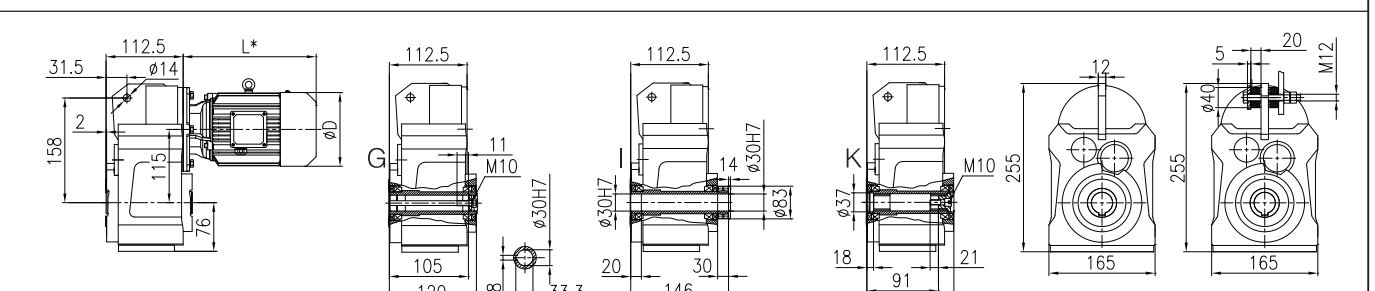
Directly connected motor dimension table

4-pole power (kW)	Range of Ratio	MS							MH							MP							MA							D
		L1	L2	L3	L4	L5	L6	L7	L1	L2	L3	L5	L6	L7	L1	L2	L3	L5	L6	L7	L1	L2	L3	L5	L6	L7				
0.12	4-112	/	261	241	/	296	/	/	206	261	241	296	/	/	206	261	241	296	/	/	206	261	241	296	*	*	124			
0.18	4-112	/	261	241	/	296	/	/	206	261	241	296	/	/	206	261	241	296	/	/	206	261	241	296	*	*	124			
0.25	4-112	/	268	263	/	313	313	353	223	268	263	313	313	353	223	268	263	313	313	353	223	273	263	318	318	358	139			
0.37	4-71	/	268	263	/	313	313	353	223	268	263	313	313	353	223	268	263	313	313	353	223	273	263	318	318	358	139			
0.55	4-50	299	344	359	419	404	404	454	299	344	359	404	404	454	299	344	359	404	404	454	299	344	359	404	404	449	162			
0.75	4-35.5	299	344	359	419	404	404	454	299	344	359	404	404	454	299	344	359	404	404	454	299	344	359	404	404	449	162			
1.1	4-25	322	367	377	437	422	422	477	322	367	377	422	422	477	322	367	377	422	422	477	347	392	402	452	452	497	176			
1.5	4-18	322	367	377	437	422	422	477	322	367	377	422	422	477	347	392	402	447	447	502	347	392	402	452	452	497	176			

Directly connected motor weight table / kg

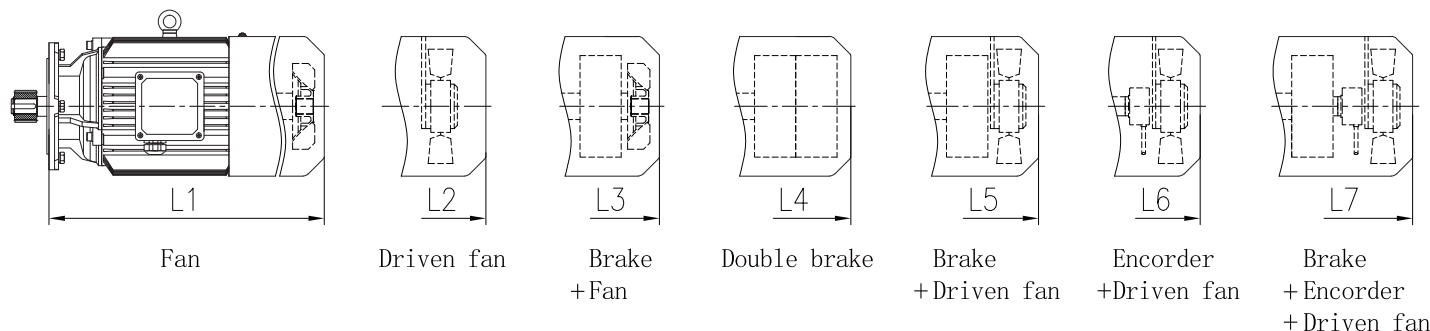
4-pole power (kW)	Range of Ratio	MS							MH							MP							MA						
		M1	M2	M3	M4	M5	M6	M7	M1	M2	M3	M5	M6	M7	M1	M2	M3	M5	M6	M7	M1	M2	M3	M5	M6	M7			
0.12	4-112	/	8	9	/	9	/	/	7	8	9	9	/	/	7	8	9	9	/	/	7	7.5	8.5	9	/	/			
0.18	4-112	/	8	9	/	9	/	/	7	8	9	9	/	/	8	9	10	10	/	/	8	8.5	9.5	10	/	/			
0.25	4-112	/	9	10	/	11	10	12	8	9	10	11	10	12	9	10	11	12	11	13	9	10	10.5	11.5	10.5	12.5			
0.37	4-71	/	10	11	/	12	11	13	9	10	11	12	11	13	10	11	12	13	12	14	10	11	11.5	12.5	11.5	13.5			
0.55	4-50	13	14	17	21	18	15	19	14	15	18	19	16	20	15	16	19	20	17	21	15	16	19	20	16.5	21			
0.75	4-35.5	14	15	18	22	19	16	20	15	16	19	20	17	21	16	17	20	21	18	22	16	17	20	21	17.5	22			
1.1	4-25	16	17	20	24	21	18	22	18	19	22	23	20	24	21	22	25	26	23	27	21	22	25	26	22.5	27			
1.5	4-18	17	18	21	25	22	19	23	19	20	23	24	21	25	23	24	27	28	25	29	23	24	27	28	24.5	29			

**F203/F303 Dimensions**

Mounting Mode					
Horizontal foot-mounted	 <p>F203HA Unidirectional output shaft F303HA Unidirectional output shaft F203HC Bidirectional output shaft F303HC Bidirectional output shaft</p> <p>F203HG Hollow shaft with parallel key F303HG Hollow shaft with parallel key</p> <p>F203HI Hollow shaft with shrink disk F303HI Hollow shaft with shrink disk</p> <p>F203HK Hollow shaft with involute spline F303HK Hollow shaft with involute spline</p> <p>Horizontal foot-mounted (H) Weight: 13kg ( Without motor and oil )</p>				
Flange-mounted	 <p>F203FA Unidirectional output shaft F303FA Unidirectional output shaft F203FC Bidirectional output shaft F303FC Bidirectional output shaft</p> <p>F203FG Hollow shaft with parallel key F303FG Hollow shaft with parallel key</p> <p>F203FI Hollow shaft with shrink disk F303FI Hollow shaft with shrink disk</p> <p>F203FK Hollow shaft with involute spline F303FK Hollow shaft with involute spline</p> <p>Flange-mounted (F) Weight: 16kg ( Without motor and oil )</p>				
Short flange-mounted	 <p>F203SG Hollow shaft with parallel key F303SG Hollow shaft with parallel key</p> <p>F203SI Hollow shaft with shrink disk F303SI Hollow shaft with shrink disk</p> <p>F203SK Hollow shaft with involute spline F303SK Hollow shaft with involute spline</p> <p>Short flange-mounted (S) Weight: 14kg ( Without motor and oil )</p>				
Torque arm-mounted	 <p>F203AG Hollow shaft with parallel key F303AG Hollow shaft with parallel key F203TG Hollow shaft with parallel key F303TG Hollow shaft with parallel key</p> <p>F203AI Hollow shaft with shrink disk F303AI Hollow shaft with shrink disk F203TI Hollow shaft with shrink disk F303TI Hollow shaft with shrink disk</p> <p>F203AK Hollow shaft with involute spline F303AK Hollow shaft with involute spline F203TK Hollow shaft with involute spline F303TK Hollow shaft with involute spline</p> <p>Torque arm-mounted (A) Weight: 10kg ( Without motor and oil )</p> <p>Torque arm-mounted with accessory (T) Weight: 10kg ( Without motor and oil )</p>				

Note: Involute spline size DIN 5480: m1.25 × Z22 × α 30 × D30 × 9H

**Corresponding motor dimension table for F203/F303**



Directly connected motor dimension table

4-pole power (kW)	Range of Ratio	MS							MH							MP							MA							D
		L1	L2	L3	L4	L5	L6	L7	L1	L2	L3	L5	L6	L7	L1	L2	L3	L5	L6	L7	L1	L2	L3	L5	L6	L7				
0.12	4-125	/	261	241	/	296	/	/	206	261	241	296	/	/	206	261	241	296	/	/	206	261	241	296	*	*	124			
0.18	4-125	/	261	241	/	296	/	/	206	261	241	296	/	/	206	261	241	296	/	/	206	261	241	296	*	*	124			
0.25	4-125	/	268	263	/	313	313	353	223	268	263	313	313	353	223	268	263	313	313	353	223	273	263	318	318	358	139			
0.37	4-125	/	268	263	/	313	313	353	223	268	263	313	313	353	223	268	263	313	313	353	223	273	263	318	318	358	139			
0.55	4-80	299	344	359	419	404	404	454	299	344	359	404	404	454	299	344	359	404	404	454	299	344	359	404	404	449	162			
0.75	4-56	299	344	359	419	404	404	454	299	344	359	404	404	454	299	344	359	404	404	454	299	344	359	404	404	449	162			
1.1	4-40	322	367	377	437	422	422	477	322	367	377	422	422	477	322	367	377	422	422	477	347	392	402	452	452	497	176			
1.5	4-28	322	367	377	437	422	422	477	322	367	377	422	422	477	347	392	402	447	447	502	347	392	402	452	452	497	176			
2.2	4-20	394	434	469	529	509	509	564	394	434	469	509	509	564	394	434	469	509	509	564	394	449	469	529	529	574	202			
3	4-14	394	434	469	529	509	509	564	394	434	469	509	509	564	394	434	469	509	509	564	394	449	469	529	529	574	202			

Directly connected motor weight table / kg

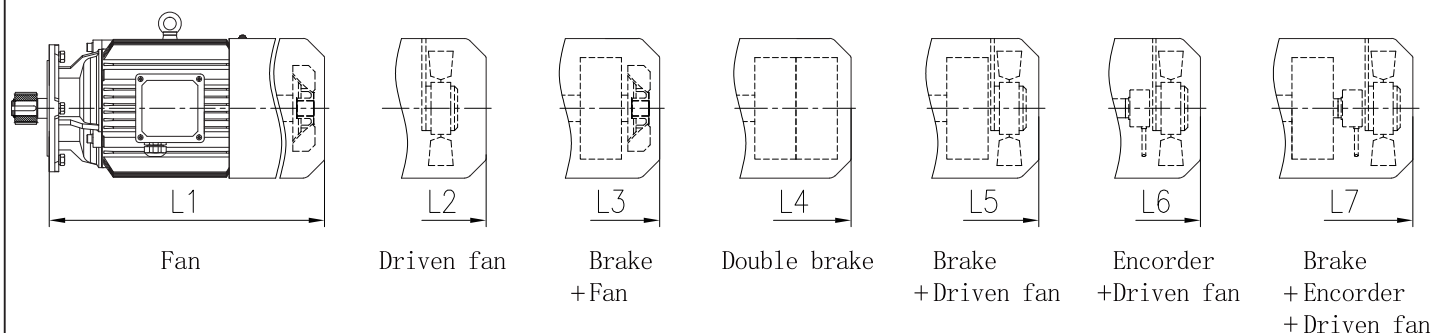
4-pole power (kW)	Range of Ratio	MS							MH							MP							MA						
		M1	M2	M3	M4	M5	M6	M7	M1	M2	M3	M5	M6	M7	M1	M2	M3	M5	M6	M7	M1	M2	M3	M5	M6	M7			
0.12	4-125	/	8	9	/	9	/	/	7	8	9	9	/	/	7	8	9	9	/	/	7	7.5	8.5	9	/	/			
0.18	4-125	/	8	9	/	9	/	/	7	8	9	9	/	/	8	9	10	10	/	/	8	8.5	9.5	10	/	/			
0.25	4-125	/	9	10	/	11	10	12	8	9	10	11	10	12	9	10	11	12	11	13	9	10	10.5	11.5	10.5	12.5			
0.37	4-125	/	10	11	/	12	11	13	9	10	11	12	11	13	10	11	12	13	12	14	10	11	11.5	12.5	11.5	13.5			
0.55	4-80	13	14	17	21	18	15	19	14	15	18	19	16	20	15	16	19	20	17	21	15	16	19	20	16.5	21			
0.75	4-56	14	15	18	22	19	16	20	15	16	19	20	17	21	16	17	20	21	18	22	16	17	20	21	17.5	22			
1.1	4-40	16	17	20	24	21	18	22	18	19	22	23	20	24	21	22	25	26	23	27	21	22	25	26	22.5	27			
1.5	4-28	17	18	21	25	22	19	23	19	20	23	24	21	25	23	24	27	28	25	29	23	24	27	28	24.5	29			
2.2	4-20	27	28	35	42	36	29	37	30	31	38	39	32	40	32	33	40	41	34	42	36	37	44	45	38	45			
3	4-14	30	31	38	45	39	32	40	33	34	41	42	35	43	36	37	44	45	38	46	36	37	44	45	38	45			

**F204/F304 Dimensions**

Mounting Mode					
Horizontal foot-mounted	<p>F204HA Unidirectional output shaft F304HA Unidirectional output shaft F204HC Bidirectional output shaft F304HC Bidirectional output shaft</p> <p>F204HG Hollow shaft with parallel key F304HG Hollow shaft with parallel key</p> <p>F204HI Hollow shaft with shrink disk F304HI Hollow shaft with shrink disk</p> <p>F204HK Hollow shaft with involute spline F304HK Hollow shaft with involute spline</p> <p>Horizontal foot-mounted (H) Weight:16kg ( Without motor and oil )</p>				
Flange-mounted	<p>F204FA Unidirectional output shaft F304FA Unidirectional output shaft F204FC Bidirectional output shaft F304FC Bidirectional output shaft</p> <p>F204FG Hollow shaft with parallel key F304FG Hollow shaft with parallel key</p> <p>F204FI Hollow shaft with shrink disk F304FI Hollow shaft with shrink disk</p> <p>F204FK Hollow shaft with involute spline F304FK Hollow shaft with involute spline</p> <p>Flange-mounted (F) Weight:20kg ( Without motor and oil )</p>				
Short flange-mounted	<p>F204SG Hollow shaft with parallel key F304SG Hollow shaft with parallel key</p> <p>F204SI Hollow shaft with shrink disk F304SI Hollow shaft with shrink disk</p> <p>F204SK Hollow shaft with involute spline F304SK Hollow shaft with involute spline</p> <p>Short flange-mounted (S) Weight:17kg ( Without motor and oil )</p>				
Torque arm-mounted	<p>F204AG Hollow shaft with parallel key F304AG Hollow shaft with parallel key F204TG Hollow shaft with parallel key F304TG Hollow shaft with parallel key</p> <p>F204AI Hollow shaft with shrink disk F304AI Hollow shaft with shrink disk F204TI Hollow shaft with shrink disk F304TI Hollow shaft with shrink disk</p> <p>F204AK Hollow shaft with involute spline F304AK Hollow shaft with involute spline F204TK Hollow shaft with involute spline F304TK Hollow shaft with involute spline</p> <p>Torque arm-mounted (A) Weight:17kg ( Without motor and oil )</p> <p>Torque arm-mounted with accessory (T) Weight:17kg ( Without motor and oil )</p>				
Torque arm-mounted with accessory					

Note: Involute spline size DIN 5480: m2 × Z16 × α 30 × D35 × 9H

### Corresponding motor dimension table for F204/F304



Directly connected motor dimension table

4-pole power (kW)	Range of Ratio	MS							MH							MP							MA							D
		L1	L2	L3	L4	L5	L6	L7	L1	L2	L3	L5	L6	L7	L1	L2	L3	L5	L6	L7	L1	L2	L3	L5	L6	L7				
0.12	4.5-160	/	262	242	/	297	/	/	207	262	242	297	/	/	207	262	242	297	/	/	207	262	242	297	*	*	124			
0.18	4.5-160	/	262	242	/	297	/	/	207	262	242	297	/	/	207	262	242	297	/	/	207	262	242	297	*	*	124			
0.25	4.5-160	/	269	264	/	314	314	354	224	269	264	314	314	354	224	269	264	314	314	354	224	274	264	319	319	359	139			
0.37	4.5-160	/	269	264	/	314	314	354	224	269	264	314	314	354	224	269	264	314	314	354	224	274	264	319	319	359	139			
0.55	4.5-140	300	345	360	420	405	405	455	300	345	360	405	405	455	300	345	360	405	405	455	300	345	360	405	405	450	162			
0.75	4.5-112	300	345	360	420	405	405	455	300	345	360	405	405	455	300	345	360	405	405	455	300	345	360	405	405	450	162			
1.1	4.5-71	323	368	378	438	423	423	478	323	368	378	423	423	478	323	368	378	423	423	478	348	393	403	453	453	498	176			
1.5	4.5-50	323	368	378	438	423	423	478	323	368	378	423	423	478	348	393	403	448	448	503	348	393	403	453	453	498	176			
2.2	4.5-40	395	435	470	530	510	510	565	395	435	470	510	510	565	395	435	470	510	510	565	395	450	470	530	530	575	202			
3	4.5-28	395	435	470	530	510	510	565	395	435	470	510	510	565	395	435	470	510	510	565	395	450	470	530	530	575	202			
4	4.5-20	391	441	466	526	516	516	571	459	509	534	584	584	639	459	509	534	584	584	639	459	519	534	599	599	639	220			

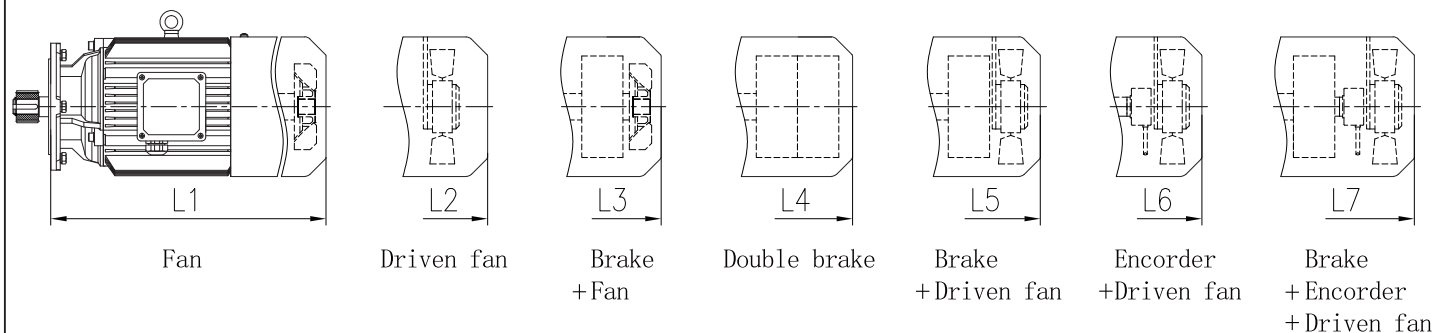
Directly connected motor weight table / kg

4-pole power (kW)	Range of Ratio	MS							MH							MP							MA						
		M1	M2	M3	M4	M5	M6	M7	M1	M2	M3	M5	M6	M7	M1	M2	M3	M5	M6	M7	M1	M2	M3	M5	M6	M7			
0.12	4.5-160	/	8	9	/	9	/	/	7	8	9	9	/	/	7	8	9	9	/	/	7	7.5	8.5	9	/	/			
0.18	4.5-160	/	8	9	/	9	/	/	7	8	9	9	/	/	8	9	10	10	/	/	8	8.5	9.5	10	/	/			
0.25	4.5-160	/	9	10	/	11	10	12	8	9	10	11	10	12	9	10	11	12	11	13	9	10	10.5	11.5	10.5	12.5			
0.37	4.5-160	/	10	11	/	12	11	13	9	10	11	12	11	13	10	11	12	13	12	14	10	11	11.5	12.5	11.5	13.5			
0.55	4.5-140	13	14	17	21	18	15	19	14	15	18	19	16	20	15	16	19	20	17	21	15	16	19	20	16.5	21			
0.75	4.5-112	14	15	18	22	19	16	20	15	16	19	20	17	21	16	17	20	21	18	22	16	17	20	21	17.5	22			
1.1	4.5-71	16	17	20	24	21	18	22	18	19	22	23	20	24	21	22	25	26	23	27	21	22	25	26	22.5	27			
1.5	4.5-50	17	18	21	25	22	19	23	19	20	23	24	21	25	23	24	27	28	25	29	23	24	27	28	24.5	29			
2.2	4.5-40	27	28	35	42	36	29	37	30	31	38	39	32	40	32	33	40	41	34	42	36	37	44	45	38	45			
3	4.5-28	30	31	38	45	39	32	40	33	34	41	42	35	43	36	37	44	45	38	46	36	37	44	45	38	45			
4	4.5-20	45	46	53	61	54	47	55	52	53	60	61	54	62	56	57	64	65	58	66	56	57	64	65	58	66			





### Corresponding motor dimension table for F205/F305



Directly connected motor dimension table

4-pole power (kW)	Range of Ratio	MS							MH							MP							MA							D
		L1	L2	L3	L4	L5	L6	L7	L1	L2	L3	L5	L6	L7	L1	L2	L3	L5	L6	L7	L1	L2	L3	L5	L6	L7				
0.25	4-140	/	269	264	/	314	314	354	224	269	264	314	314	354	224	269	264	314	314	354	224	274	264	319	319	359	139			
0.37	4-140	/	269	264	/	314	314	354	224	269	264	314	314	354	224	269	264	314	314	354	224	274	264	319	319	359	139			
0.55	4-140	300	345	360	420	405	405	455	300	345	360	405	405	455	300	345	360	405	405	455	300	345	360	405	405	450	162			
0.75	4-140	300	345	360	420	405	405	455	300	345	360	405	405	455	300	345	360	405	405	455	300	345	360	405	405	450	162			
1.1	4-80	323	368	378	438	423	423	478	323	368	378	423	423	478	323	368	378	423	423	478	348	393	403	453	453	498	176			
1.5	4-80	323	368	378	438	423	423	478	323	368	378	423	423	478	348	393	403	448	448	503	348	393	403	453	453	498	176			
2.2	4-56	395	435	470	530	510	510	565	395	435	470	510	510	565	395	435	470	510	510	565	395	450	470	530	530	575	202			
3	4-45	395	435	470	530	510	510	565	395	435	470	510	510	565	395	435	470	510	510	565	395	450	470	530	530	575	202			
4	4-31.5	391	441	466	526	516	516	571	459	509	534	584	584	639	459	509	534	584	584	639	459	519	534	599	599	639	220			

Directly connected motor weight table / kg

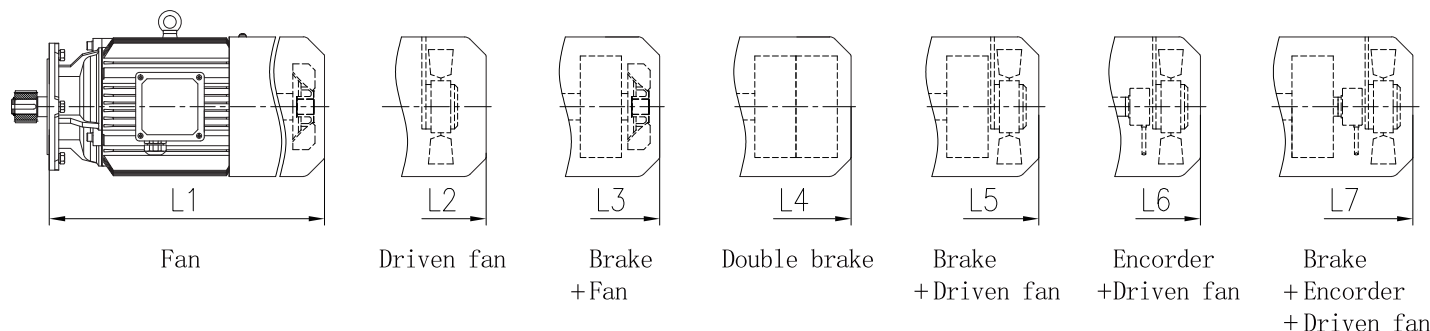
4-pole power (kW)	Range of Ratio	MS							MH							MP							MA						
		M1	M2	M3	M4	M5	M6	M7	M1	M2	M3	M5	M6	M7	M1	M2	M3	M5	M6	M7	M1	M2	M3	M5	M6	M7			
0.25	4-140	/	9	10	/	11	10	12	8	9	10	11	10	12	9	10	11	12	11	13	9	10	10.5	11.5	10.5	12.5			
0.37	4-140	/	10	11	/	12	11	13	9	10	11	12	11	13	10	11	12	13	12	14	10	11	11.5	12.5	11.5	13.5			
0.55	4-140	13	14	17	21	18	15	19	14	15	18	19	16	20	15	16	19	20	17	21	15	16	19	20	16.5	21			
0.75	4-140	14	15	18	22	19	16	20	15	16	19	20	17	21	16	17	20	21	18	22	16	17	20	21	17.5	22			
1.1	4-80	16	17	20	24	21	18	22	18	19	22	23	20	24	21	22	25	26	23	27	21	22	25	26	22.5	27			
1.5	4-80	17	18	21	25	22	19	23	19	20	23	24	21	25	23	24	27	28	25	29	23	24	27	28	24.5	29			
2.2	4-56	27	28	35	42	36	29	37	30	31	38	39	32	40	32	33	40	41	34	42	36	37	44	45	38	45			
3	4-45	30	31	38	45	39	32	40	33	34	41	42	35	43	36	37	44	45	38	46	36	37	44	45	38	45			
4	4-31.5	45	46	53	61	54	47	55	52	53	60	61	54	62	56	57	64	65	58	66	56	57	64	65	58	66			



Mounting Mode	<b>F206/F306 Dimensions</b>				
Horizontal foot-mounted	<p>F206HA Unidirectional output shaft F306HA Unidirectional output shaft F206HC Bidirectional output shaft F306HC Bidirectional output shaft</p> <p>F206HG Hollow shaft with parallel key F306HG Hollow shaft with parallel key</p> <p>F206HI Hollow shaft with shrink disk F306HI Hollow shaft with shrink disk</p> <p>F206HK Hollow shaft with involute spline F306HK Hollow shaft with involute spline</p> <p>Horizontal foot-mounted (H) Weight:30kg ( Without motor and oil )</p>				
Flange-mounted	<p>F206FA Unidirectional output shaft F306FA Unidirectional output shaft F206FC Bidirectional output shaft F306FC Bidirectional output shaft</p> <p>F206FG Hollow shaft with parallel key F306FG Hollow shaft with parallel key</p> <p>F206FI Hollow shaft with shrink disk F306FI Hollow shaft with shrink disk</p> <p>F206FK Hollow shaft with involute spline F306FK Hollow shaft with involute spline</p> <p>Flange-mounted (F) Weight:36kg ( Without motor and oil )</p>				
Short flange-mounted	<p>F206SG Hollow shaft with parallel key F306SG Hollow shaft with parallel key</p> <p>F206SI Hollow shaft with shrink disk F306SI Hollow shaft with shrink disk</p> <p>F206SK Hollow shaft with involute spline F306SK Hollow shaft with involute spline</p> <p>Short flange-mounted (S) Weight:32kg ( Without motor and oil )</p>				
Torque arm-mounted	<p>F206AG Hollow shaft with parallel key F306AG Hollow shaft with parallel key F206TG Hollow shaft with parallel key F306TG Hollow shaft with parallel key</p> <p>F206AI Hollow shaft with shrink disk F306AI Hollow shaft with shrink disk F206TI Hollow shaft with shrink disk F306TI Hollow shaft with shrink disk</p> <p>F206AK Hollow shaft with involute spline F306AK Hollow shaft with involute spline F206TK Hollow shaft with involute spline F306TK Hollow shaft with involute spline</p> <p>Torque arm-mounted (A) Weight:32kg ( Without motor and oil )</p> <p>Torque arm-mounted with accessory (T) Weight:32kg ( Without motor and oil )</p>				
Torque arm-mounted with accessory					

Note: Involute spline size DIN 5480: m2 × Z16 × α 30 × D35 × 9H

**Corresponding motor dimension table for F206/F306**



Directly connected motor dimension table

4-pole power (kW)	Range of Ratio	MS							MH							MP							MA							D
		L1	L2	L3	L4	L5	L6	L7	L1	L2	L3	L5	L6	L7	L1	L2	L3	L5	L6	L7	L1	L2	L3	L5	L6	L7				
0.25	140-200	/	269	264	/	314	314	354	224	269	264	314	314	354	224	269	264	314	314	354	224	274	264	319	319	359	139			
0.37	100-200	/	269	264	/	314	314	354	224	269	264	314	314	354	224	269	264	314	314	354	224	274	264	319	319	359	139			
0.55	63-200	300	345	360	420	405	405	455	300	345	360	405	405	455	300	345	360	405	405	455	300	345	360	405	405	450	162			
0.75	45-200	300	345	360	420	405	405	455	300	345	360	405	405	455	300	345	360	405	405	455	300	345	360	405	405	450	162			
1.1	31.5-112	323	368	378	438	423	423	478	323	368	378	423	423	478	323	368	378	423	423	478	348	393	403	453	453	498	176			
1.5	25-112	323	368	378	438	423	423	478	323	368	378	423	423	478	348	393	403	448	448	503	348	393	403	453	453	498	176			
2.2	16-80	395	435	470	530	510	510	565	395	435	470	510	510	565	395	435	470	510	510	565	395	450	470	530	530	575	202			
3	9-56	395	435	470	530	510	510	565	395	435	470	510	510	565	395	435	470	510	510	565	395	450	470	530	530	575	202			
4	6.3-40	391	441	466	526	516	516	571	459	509	534	584	584	639	459	509	534	584	584	639	459	519	534	599	599	639	220			
5.5	4-28	432	482	512	577	557	557	612	432	482	512	557	557	612	470	520	550	595	595	650	508	573	588	658	658	688	259			
7.5	4-22.4	470	520	550	615	595	595	650	470	520	550	595	595	650	508	558	588	633	633	688	508	573	588	658	658	688	259			

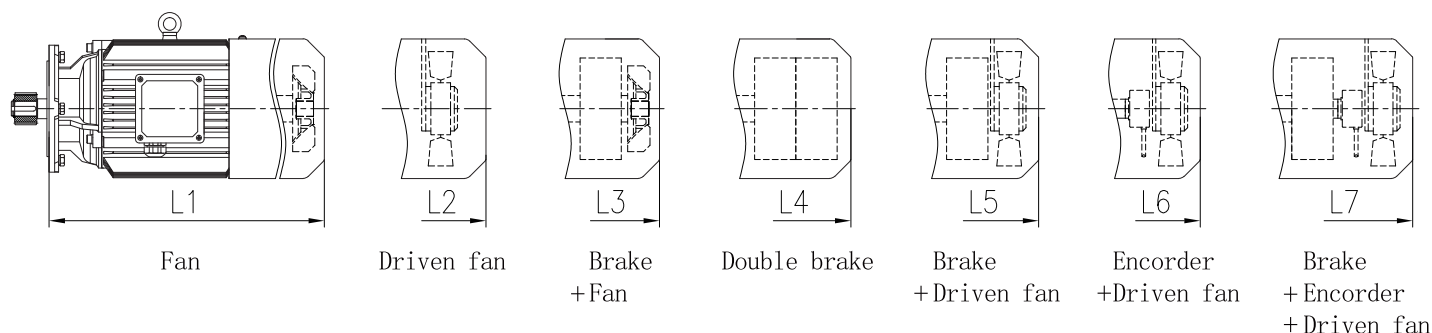
Directly connected motor weight table / kg

4-pole power (kW)	Range of Ratio	MS							MH							MP							MA						
		M1	M2	M3	M4	M5	M6	M7	M1	M2	M3	M5	M6	M7	M1	M2	M3	M5	M6	M7	M1	M2	M3	M5	M6	M7			
0.25	140-200	/	9	10	/	11	10	12	8	9	10	11	10	12	9	10	11	12	11	13	9	10	10.5	11.5	10.5	12.5			
0.37	100-200	/	10	11	/	12	11	13	9	10	11	12	11	13	10	11	12	13	12	14	10	11	11.5	12.5	11.5	13.5			
0.55	63-200	13	14	17	21	18	15	19	14	15	18	19	16	20	15	16	19	20	17	21	15	16	19	20	16.5	21			
0.75	45-200	14	15	18	22	19	16	20	15	16	19	20	17	21	16	17	20	21	18	22	16	17	20	21	17.5	22			
1.1	31.5-112	16	17	20	24	21	18	22	18	19	22	23	20	24	21	22	25	26	23	27	21	22	25	26	22.5	27			
1.5	25-112	17	18	21	25	22	19	23	19	20	23	24	21	25	23	24	27	28	25	29	23	24	27	28	24.5	29			
2.2	16-80	27	28	35	42	36	29	37	30	31	38	39	32	40	32	33	40	41	34	42	36	37	44	45	38	45			
3	9-56	30	31	38	45	39	32	40	33	34	41	42	35	43	36	37	44	45	38	46	36	37	44	45	38	45			
4	6.3-40	45	46	53	61	54	47	55	52	53	60	61	54	62	56	57	64	65	58	66	56	57	64	65	58	66			
5.5	4-28	63	65	74	85	76	66	77	67	69	78	80	70	81	77	79	88	90	80	91	77	79	88	90	80	91			
7.5	4-22.4	73	75	84	95	86	76	87	80	82	91	93	83	94	88	90	99	101	91	102	88	90	99	101	91	102			

Mounting Mode	<b>F207/F307 Dimensions</b>				
Horizontal foot-mounted	<p>           F207HA Unidirectional output shaft            F307HA Unidirectional output shaft            F207HC Bidirectional output shaft            F307HC Bidirectional output shaft         </p> <p>           F207HG Hollow shaft with parallel key            F307HG Hollow shaft with parallel key         </p> <p>           F207HI Hollow shaft with shrink disk            F307HI Hollow shaft with shrink disk         </p> <p>           F207HK Hollow shaft with involute spline            F307HK Hollow shaft with involute spline         </p> <p>Horizontal foot-mounted (H) Weight:50kg ( Without motor and oil )</p>				
Flange-mounted	<p>           F207FA Unidirectional output shaft            F307FA Unidirectional output shaft            F207FC Bidirectional output shaft            F307FC Bidirectional output shaft         </p> <p>           F207FG Hollow shaft with parallel key            F307FG Hollow shaft with parallel key         </p> <p>           F207FI Hollow shaft with shrink disk            F307FI Hollow shaft with shrink disk         </p> <p>           F207FK Hollow shaft with involute spline            F307FK Hollow shaft with involute spline         </p> <p>Flange-mounted (F) Weight:60kg ( Without motor and oil )</p>				
Short flange-mounted	<p>           F207SG Hollow shaft with parallel key            F307SG Hollow shaft with parallel key         </p> <p>           F207SI Hollow shaft with shrink disk            F307SI Hollow shaft with shrink disk         </p> <p>           F207SK Hollow shaft with involute spline            F307SK Hollow shaft with involute spline         </p> <p>Short flange-mounted (S) Weight:52kg ( Without motor and oil )</p>				
Torque arm-mounted	<p>           F207AG Hollow shaft with parallel key            F307AG Hollow shaft with parallel key            F207TG Hollow shaft with parallel key            F307TG Hollow shaft with parallel key         </p> <p>           F207AI Hollow shaft with shrink disk            F307AI Hollow shaft with shrink disk            F207TI Hollow shaft with shrink disk            F307TI Hollow shaft with shrink disk         </p> <p>           F207AK Hollow shaft with involute spline            F307AK Hollow shaft with involute spline            F207TK Hollow shaft with involute spline            F307TK Hollow shaft with involute spline         </p> <p>Torque arm-mounted (A) Weight:52kg ( Without motor and oil )</p> <p>Torque arm-mounted with accessory (T) Weight:52kg ( Without motor and oil )</p>				
Torque arm-mounted with accessory	<p>           F207AG Hollow shaft with parallel key            F307AG Hollow shaft with parallel key            F207TG Hollow shaft with parallel key            F307TG Hollow shaft with parallel key         </p> <p>           F207AI Hollow shaft with shrink disk            F307AI Hollow shaft with shrink disk            F207TI Hollow shaft with shrink disk            F307TI Hollow shaft with shrink disk         </p> <p>           F207AK Hollow shaft with involute spline            F307AK Hollow shaft with involute spline            F207TK Hollow shaft with involute spline            F307TK Hollow shaft with involute spline         </p> <p>Torque arm-mounted (A) Weight:52kg ( Without motor and oil )</p> <p>Torque arm-mounted with accessory (T) Weight:52kg ( Without motor and oil )</p>				

Note: Involute spline size DIN 5480: m2 × Z24 × α 30 × D50 × 9H

**Corresponding motor dimension table for F207/F307**



Directly connected motor dimension table

4-pole power (kW)	Range of Ratio	MS							MH							MP							MA							D
		L1	L2	L3	L4	L5	L6	L7	L1	L2	L3	L4	L5	L6	L7	L1	L2	L3	L5	L6	L7	L1	L2	L3	L5	L6	L7			
0.37	180-250	/	261	256	/	306	306	346	216	261	256	/	306	306	346	216	261	256	306	306	346	216	266	256	311	311	351	139		
0.55	125-250	292	337	352	412	397	397	447	292	337	352	/	397	397	447	292	337	352	397	397	447	292	337	352	397	397	442	162		
0.75	90-250	292	337	352	412	397	397	447	292	337	352	/	397	397	447	292	337	352	397	397	447	292	337	352	397	397	442	162		
1.1	63-160	315	360	370	430	415	415	470	315	360	370	/	415	415	470	315	360	370	415	415	470	340	385	395	445	445	490	176		
1.5	45-160	315	360	370	430	415	415	470	315	360	370	/	415	415	470	340	385	395	440	440	495	340	385	395	445	445	490	176		
2.2	28-140	387	427	462	522	502	502	557	387	427	462	/	502	502	557	387	427	462	502	502	557	387	442	462	522	522	567	202		
3	20-112	387	427	462	522	502	502	557	387	427	462	/	502	502	557	387	427	462	502	502	557	387	442	462	522	522	567	202		
4	14-80	383	433	458	518	508	508	563	451	501	526	/	576	576	631	451	501	526	576	576	631	451	511	526	591	591	631	220		
5.5	6.3-56	421	471	501	566	546	546	601	421	471	501	/	546	546	601	459	509	539	584	584	639	497	562	577	647	647	677	259		
7.5	4.5-40	459	509	539	604	584	584	639	459	509	539	/	584	584	639	497	547	577	622	622	677	497	562	577	647	647	677	259		
11	4-25	/	542	602	/	632	632	682	507	542	602	652	632	632	682	551	586	646	676	676	726	551	601	646	701	701	736	314		
15	4-20	/	586	646	/	676	676	726	551	586	646	696	676	676	726	581	616	676	706	706	756	581	631	676	731	731	766	314		

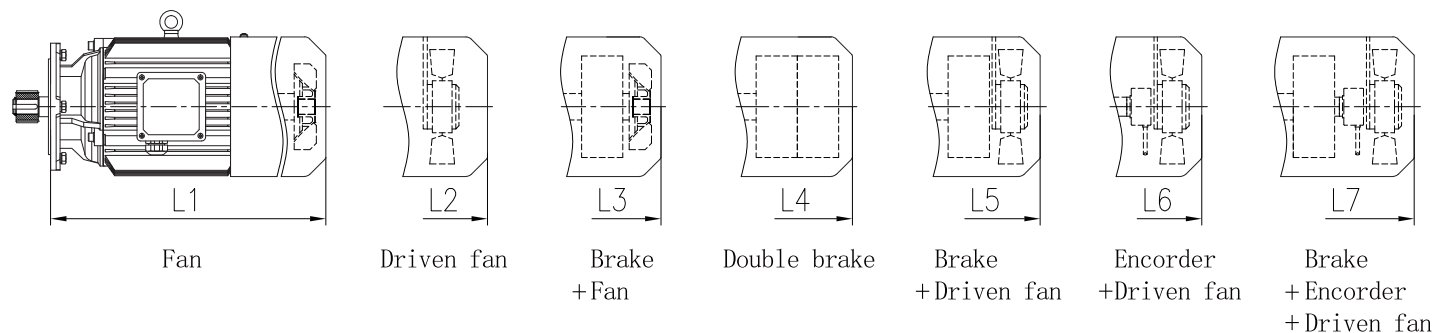
Directly connected motor weight table / kg

4-pole power (kW)	Range of Ratio	MS							MH							MP							MA						
		M1	M2	M3	M4	M5	M6	M7	M1	M2	M3	M4	M5	M6	M7	M1	M2	M3	M5	M6	M7	M1	M2	M3	M5	M6	M7		
0.37	180-250	/	10	11	/	12	11	13	9	10	11	/	12	11	13	10	11	12	13	12	14	10	11	11.5	12.5	11.5	13.5		
0.55	125-250	13	14	17	21	18	15	19	14	15	18	/	19	16	20	15	16	19	20	17	21	15	16	19	20	16.5	21		
0.75	90-250	14	15	18	22	19	16	20	15	16	19	/	20	17	21	16	17	20	21	18	22	16	17	20	21	17.5	22		
1.1	63-160	16	17	20	24	21	18	22	18	19	22	/	23	20	24	21	22	25	26	23	27	21	22	25	26	22.5	27		
1.5	45-160	17	18	21	25	22	19	23	19	20	23	/	24	21	25	23	24	27	28	25	29	23	24	27	28	24.5	29		
2.2	28-140	27	28	35	42	36	29	37	30	31	38	/	39	32	40	32	33	40	41	34	42	36	37	44	45	38	45		
3	20-112	30	31	38	45	39	32	40	33	34	41	/	42	35	43	36	37	44	45	38	46	36	37	44	45	38	45		
4	14-80	45	46	53	61	54	47	55	52	53	60	/	61	54	62	56	57	64	65	58	66	56	57	64	65	58	66		
5.5	6.3-56	63	65	74	85	76	66	77	67	69	78	/	80	70	81	77	79	88	90	80	91	77	79	88	90	80	91		
7.5	4.5-40	73	75	84	95	86	76	87	80	82	91	/	93	83	94	88	90	99	101	91	102	88	90	99	101	91	102		
11	4-25	/	123	142	/	143	124	144	121	123	142	162	143	124	144	129	131	150	151	132	152	129	131	150	151	132	152		
15	4-20	/	141	160	/	161	142	162	139	141	160	180	161	142	162	161	163	182	183	164	184	161	163	182	183	164	184		

Mounting Mode	<b>F208/F308 Dimensions</b>				
Horizontal foot-mounted					
	<p>F208HA Unidirectional output shaft F308HA Unidirectional output shaft F208HC Bidirectional output shaft F308HC Bidirectional output shaft</p> <p>F208HG Hollow shaft with parallel key F308HG Hollow shaft with parallel key</p> <p>F208HI Hollow shaft with shrink disk F308HI Hollow shaft with shrink disk</p> <p>F208HK Hollow shaft with involute spline F308HK Hollow shaft with involute spline</p> <p>Horizontal foot-mounted (H) Weight:92kg ( Without motor and oil )</p>				
Flange-mounted					
	<p>F208FA Unidirectional output shaft F308FA Unidirectional output shaft F208FC Bidirectional output shaft F308FC Bidirectional output shaft</p> <p>F208FG Hollow shaft with parallel key F308FG Hollow shaft with parallel key</p> <p>F208FI Hollow shaft with shrink disk F308FI Hollow shaft with shrink disk</p> <p>F208FK Hollow shaft with involute spline F308FK Hollow shaft with involute spline</p> <p>Flange-mounted (F) Weight:107kg ( Without motor and oil )</p>				
Short flange-mounted					
	<p>F208SG Hollow shaft with parallel key F308SG Hollow shaft with parallel key</p> <p>F208SI Hollow shaft with shrink disk F308SI Hollow shaft with shrink disk</p> <p>F208SK Hollow shaft with involute spline F308SK Hollow shaft with involute spline</p> <p>Short flange-mounted (S) Weight:95kg ( Without motor and oil )</p>				
Torque arm-mounted					
Torque arm-mounted with accessory	<p>F208AG Hollow shaft with parallel key F308AG Hollow shaft with parallel key F208TG Hollow shaft with parallel key F308TG Hollow shaft with parallel key</p> <p>F208AI Hollow shaft with shrink disk F308AI Hollow shaft with shrink disk F208TI Hollow shaft with shrink disk F308TI Hollow shaft with shrink disk</p> <p>F208AK Hollow shaft with involute spline F308AK Hollow shaft with involute spline F208TK Hollow shaft with involute spline F308TK Hollow shaft with involute spline</p> <p>Torque arm-mounted (A) Weight:95kg ( Without motor and oil )</p> <p>Torque arm-mounted with accessory (T) Weight:95kg ( Without motor and oil )</p>				

Note: Involute spline size DIN 5480: m2 x Z31 x α 30 x D65 x 9H

**Corresponding motor dimension table for F208/F308**



Directly connected motor dimension table

4-pole power (kW)	Range of Ratio	MS							MH							MP							MA							D
		L1	L2	L3	L4	L5	L6	L7	L1	L2	L3	L4	L5	L6	L7	L1	L2	L3	L5	L6	L7	L1	L2	L3	L5	L6	L7			
0.55	224-250	283	328	343	403	388	388	438	283	328	343	/	388	388	438	283	328	343	388	388	438	283	328	343	388	388	433	162		
0.75	180-250	283	328	343	403	388	388	438	283	328	343	/	388	388	438	283	328	343	388	388	438	283	328	343	388	388	433	162		
1.1	125-200	306	351	361	421	406	406	461	306	351	361	/	406	406	461	306	351	361	406	406	461	331	376	386	436	436	481	176		
1.5	90-200	306	351	361	421	406	406	461	306	351	361	/	406	406	461	331	376	386	431	431	486	331	376	386	436	436	481	176		
2.2	56-200	378	418	453	513	493	493	548	378	418	453	/	493	493	548	378	418	453	493	493	548	378	433	453	513	513	558	202		
3	45-200	378	418	453	513	493	493	548	378	418	453	/	493	493	548	378	418	453	493	493	548	378	433	453	513	513	558	202		
4	31.5-160	374	424	449	509	499	499	554	442	492	517	/	567	567	622	442	492	517	567	567	622	442	502	517	582	582	622	220		
5.5	22.4-100	413	463	493	558	538	538	593	413	463	493	/	538	538	593	451	501	531	576	576	631	489	554	569	639	639	669	259		
7.5	18-80	451	501	531	596	576	576	631	451	501	531	/	576	576	631	489	539	569	614	614	669	489	554	569	639	639	669	259		
11	11.2-50	/	541	601	/	631	631	681	506	541	601	651	631	631	681	550	585	645	675	675	725	550	600	645	700	700	735	314		
15	7.1-40	/	585	645	/	675	675	725	550	585	645	695	675	675	725	580	615	675	705	705	755	580	630	675	730	730	765	314		
18.5	5-31.5	/	651	731	/	756	756	796	621	651	731	786	731	756	801	621	651	731	756	756	801	621	666	731	776	776	816	356		
22	4-28	/	699	779	/	804	804	849	669	699	779	834	779	804	849	669	699	779	804	804	849	669	714	779	824	824	864	356		

Directly connected motor weight table / kg

4-pole power (kW)	Range of Ratio	MS							MH							MP							MA						
		M1	M2	M3	M4	M5	M6	M7	M1	M2	M3	M4	M5	M6	M7	M1	M2	M3	M5	M6	M7	M1	M2	M3	M5	M6	M7		
0.55	224-250	13	14	17	21	18	15	19	14	15	18	/	19	16	20	15	16	19	20	17	21	15	16	19	20	16.5	21		
0.75	180-250	14	15	18	22	19	16	20	15	16	19	/	20	17	21	16	17	20	21	18	22	16	17	20	21	17.5	22		
1.1	125-200	16	17	20	24	21	18	22	18	19	22	/	23	20	24	21	22	25	26	23	27	21	22	25	26	22.5	27		
1.5	90-200	17	18	21	25	22	19	23	19	20	23	/	24	21	25	23	24	27	28	25	29	23	24	27	28	24.5	29		
2.2	56-200	27	28	35	42	36	29	37	30	31	38	/	39	32	40	32	33	40	41	34	42	36	37	44	45	38	45		
3	45-200	30	31	38	45	39	32	40	33	34	41	/	42	35	43	36	37	44	45	38	46	36	37	44	45	38	45		
4	31.5-160	45	46	53	61	54	47	55	52	53	60	/	61	54	62	56	57	64	65	58	66	56	57	64	65	58	66		
5.5	22.4-100	63	65	74	85	76	66	77	67	69	78	/	80	70	81	77	79	88	90	80	91	77	79	88	90	80	91		
7.5	18-80	73	75	84	95	86	76	87	80	82	91	/	93	83	94	88	90	99	101	91	102	88	90	99	101	91	102		
11	11.2-50	/	123	142	/	143	124	144	121	123	142	162	143	124	144	129	131	150	151	132	152	129	131	150	151	132	152		
15	7.1-40	/	141	160	/	161	142	162	139	141	160	180	161	142	162	161	163	182	183	164	184	161	163	182	183	164	184		
18.5	5-31.5	/	184	214	/	215	185	217	182	184	214	246	215	185	217	200	202	232	233	203	235	200	202	232	233	203	235		
22	4-28	/	206	236	/	237	207	239	204	206	236	268	237	207	239	220	222	252	253	223	255	220	222	252	253	223	255		

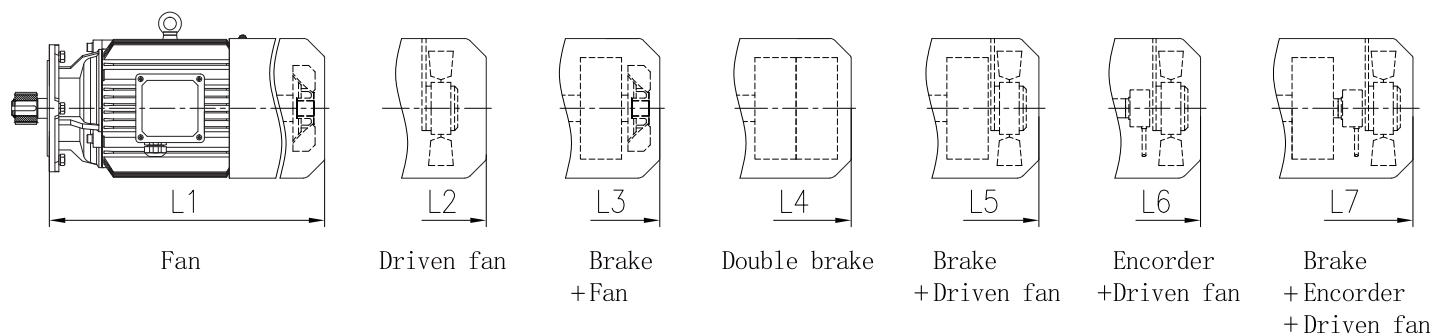


**F209/F309 Dimensions**

Mounting Mode	F209/F309 Dimensions				
Horizontal foot-mounted					
	<p>F209HA Unidirectional output shaft F309HA Unidirectional output shaft F209HC Bidirectional output shaft F309HC Bidirectional output shaft</p>	<p>F209HG Hollow shaft with parallel key F309HG Hollow shaft with parallel key</p>	<p>F209HI Hollow shaft with shrink disk F309HI Hollow shaft with shrink disk</p>	<p>F209HK Hollow shaft with involute spline F309HK Hollow shaft with involute spline</p>	<p>Horizontal foot-mounted (H) Weight:160kg ( Without motor and oil )</p>
Flange-mounted					
	<p>F209FA Unidirectional output shaft F309FA Unidirectional output shaft F209FC Bidirectional output shaft F309FC Bidirectional output shaft</p>	<p>F209FG Hollow shaft with parallel key F309FG Hollow shaft with parallel key</p>	<p>F209FI Hollow shaft with shrink disk F309FI Hollow shaft with shrink disk</p>	<p>F209FK Hollow shaft with involute spline F309FK Hollow shaft with involute spline</p>	<p>Flange-mounted (F) Weight:189kg ( Without motor and oil )</p>
Short flange-mounted					
		<p>F209SG Hollow shaft with parallel key F309SG Hollow shaft with parallel key</p>	<p>F209SI Hollow shaft with shrink disk F309SI Hollow shaft with shrink disk</p>	<p>F209SK Hollow shaft with involute spline F309SK Hollow shaft with involute spline</p>	<p>Short flange-mounted (S) Weight:168kg ( Without motor and oil )</p>
Torque arm-mounted					
Torque arm-mounted with accessory		<p>F209AG Hollow shaft with parallel key F309AG Hollow shaft with parallel key F209TG Hollow shaft with parallel key F309TG Hollow shaft with parallel key</p>	<p>F209AI Hollow shaft with shrink disk F309AI Hollow shaft with shrink disk F209TI Hollow shaft with shrink disk F309TI Hollow shaft with shrink disk</p>	<p>F209AK Hollow shaft with involute spline F309AK Hollow shaft with involute spline F209TK Hollow shaft with involute spline F309TK Hollow shaft with involute spline</p>	<p>Torque arm-mounted (A) Weight:168kg ( Without motor and oil ) Torque arm-mounted with accessory (T) Weight:168kg ( Without motor and oil )</p>

Note: Involute spline size DIN 5480: m2 × Z34 × α 30 × D70 × 9H

### Corresponding motor dimension table for F209/F309



Directly connected motor dimension table

4-pole power (kW)	Range of Ratio	MS							MH							MP							MA							D
		L1	L2	L3	L4	L5	L6	L7	L1	L2	L3	L4	L5	L6	L7	L1	L2	L3	L5	L6	L7	L1	L2	L3	L5	L6	L7			
1.1	180-250	303	348	358	418	403	403	458	303	348	358	/	403	403	458	303	348	358	403	403	458	328	373	383	433	433	478	176		
1.5	125-250	303	348	358	418	403	403	458	303	348	358	/	403	403	458	328	373	383	428	428	483	328	373	383	433	433	478	176		
2.2	80-250	374	414	449	509	489	489	544	374	414	449	/	489	489	544	374	414	449	489	489	544	374	429	449	509	509	554	202		
3	63-250	374	414	449	509	489	489	544	374	414	449	/	489	489	544	374	414	449	489	489	544	374	429	449	509	509	554	202		
4	45-224	370	420	445	505	495	495	550	438	488	513	/	563	563	618	438	488	513	563	563	618	438	498	513	578	578	618	220		
5.5	31.5-140	412	462	492	557	537	537	592	412	462	492	/	537	537	592	450	500	530	575	575	630	488	553	568	638	638	668	259		
7.5	25-112	450	500	530	595	575	575	630	450	500	530	/	575	575	630	488	538	568	613	613	668	488	553	568	638	638	668	259		
11	16-80	/	535	595	/	625	625	675	500	535	595	645	625	625	675	544	579	639	669	669	719	544	594	639	694	694	729	314		
15	11.2-56	/	579	639	/	669	669	719	544	579	639	689	669	669	719	574	609	669	699	699	749	574	624	669	724	724	759	314		
18.5	9-45	/	645	725	/	750	750	795	615	645	725	780	725	750	795	615	645	725	750	750	795	615	660	725	770	770	810	356		
22	5.6-40	/	693	773	/	798	798	843	663	693	773	828	773	798	843	663	693	773	798	798	843	663	708	773	818	818	858	356		
30	4-28	/	710	820	/	825	825	870	705	710	820	845	825	825	870	705	710	820	825	825	870	705	725	820	845	845	890	398		

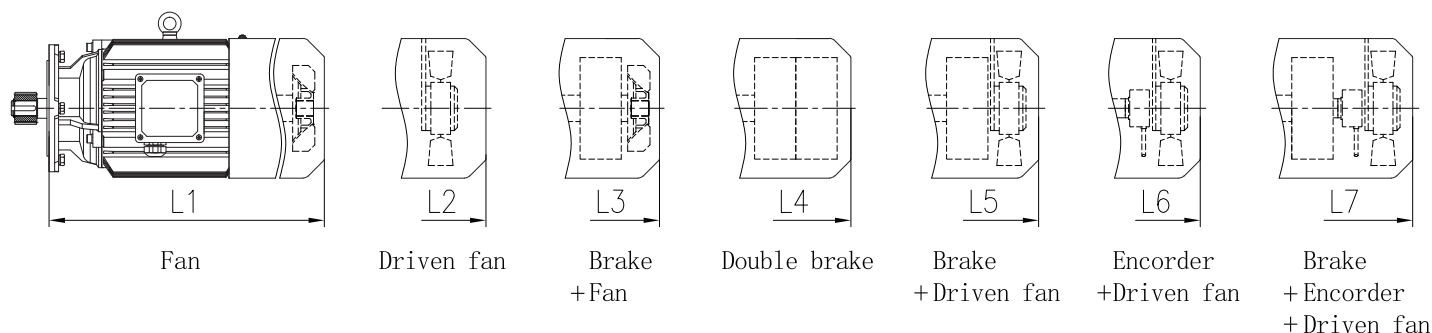
Directly connected motor weight table / kg

4-pole power (kW)	Range of Ratio	MS							MH							MP							MA						
		M1	M2	M3	M4	M5	M6	M7	M1	M2	M3	M4	M5	M6	M7	M1	M2	M3	M5	M6	M7	M1	M2	M3	M5	M6	M7		
1.1	180-250	16	17	20	24	21	18	22	18	19	22	/	23	20	24	20	21	24	25	22	26	21	22	25	26	22.5	27		
1.5	125-250	17	18	21	25	22	19	23	19	20	23	/	24	21	25	22	23	26	27	24	28	23	24	27	28	24.5	29		
2.2	80-250	27	28	35	42	36	29	37	30	31	38	/	39	32	40	32	33	40	41	34	42	36	37	44	45	38	45		
3	63-250	30	31	38	45	39	32	40	33	34	41	/	42	35	43	36	37	44	45	38	46	36	37	44	45	38	45		
4	45-224	45	46	53	61	54	47	55	52	53	60	/	61	54	62	56	57	64	65	58	66	56	57	64	65	58	66		
5.5	31.5-140	63	65	74	85	76	66	77	67	69	78	/	80	70	81	77	79	88	90	80	91	77	79	88	90	80	91		
7.5	25-112	73	75	84	95	86	76	87	80	82	91	/	93	83	94	88	90	99	101	91	102	88	90	99	101	91	102		
11	16-80	/	123	142	/	143	124	144	121	123	142	162	143	124	144	129	131	150	151	132	152	129	131	150	151	132	152		
15	11.2-56	/	141	160	/	161	142	162	139	141	160	180	161	142	162	161	163	182	183	164	184	161	163	182	183	164	184		
18.5	9-45	/	184	214	/	215	185	217	182	184	214	246	215	185	217	200	202	232	233	203	235	200	202	232	233	203	235		
22	5.6-40	/	206	236	/	237	207	239	204	206	236	268	237	207	239	220	222	252	253	223	255	220	222	252	253	223	255		
30	4-28	/	260	310	/	308	261	310	260	260	310	360	308	261	310	280	280	330	328	281	330	280	280	330	328	281	330		





### Corresponding motor dimension table for F210/F310



Directly connected motor dimension table

4-pole power (kW)	Range of Ratio	MS							MH							MP							MA							D
		L1	L2	L3	L4	L5	L6	L7	L1	L2	L3	L4	L5	L6	L7	L1	L2	L3	L5	L6	L7	L1	L2	L3	L5	L6	L7			
2.2	160-224	370	410	445	505	485	485	540	370	410	445	/	485	485	540	370	410	445	485	485	540	370	425	445	505	505	550	202		
3	112-224	370	410	445	505	485	485	540	370	410	445	/	485	485	540	370	410	445	485	485	540	370	425	445	505	505	550	202		
4	90-224	366	416	441	501	491	491	546	434	484	509	/	559	559	614	434	484	509	559	559	614	434	494	509	574	574	614	220		
5.5	63-140	401	451	481	546	526	526	581	401	451	481	/	526	526	581	439	489	519	564	564	619	477	542	557	627	627	657	259		
7.5	40-140	439	489	519	584	564	564	619	439	489	519	/	564	564	619	477	527	557	602	602	657	477	542	557	627	627	657	259		
11	28-140	/	524	584	/	614	614	664	489	524	584	634	614	614	664	533	568	628	658	658	708	533	583	628	683	683	718	314		
15	16-100	/	568	628	/	658	658	708	533	568	628	678	658	658	708	563	598	658	688	688	738	563	613	658	713	713	748	314		
18.5	10-80	/	634	714	/	739	739	784	604	634	714	769	714	739	784	604	634	714	739	739	784	604	649	714	759	759	799	356		
22	9-71	/	682	762	/	787	787	832	652	682	762	817	762	787	832	652	682	762	787	787	832	652	697	762	807	807	847	356		
30	5.6-50	/	710	820	/	825	825	870	705	710	820	845	825	825	870	705	710	820	825	825	870	705	725	820	845	845	890	398		
37	5-40	/	776	861	/	891	891	936	746	776	861	/	891	891	936	746	776	861	891	891	936	746	781	861	901	901	941	446		
45	5-31.5	/	776	861	/	891	891	936	746	776	861	/	891	891	936	746	776	861	891	891	936	746	781	861	901	901	941	446		

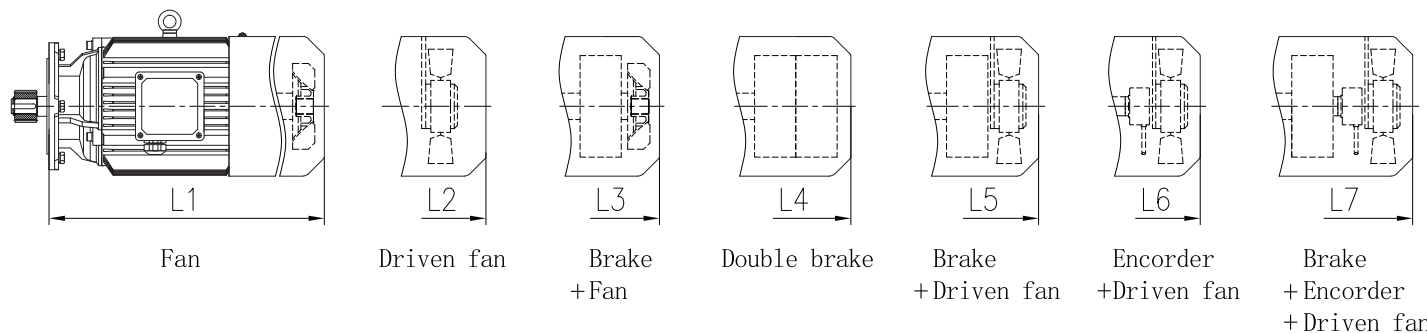
Directly connected motor weight table / kg

4-pole power (kW)	Range of Ratio	MS							MH							MP							MA						
		M1	M2	M3	M4	M5	M6	M7	M1	M2	M3	M4	M5	M6	M7	M1	M2	M3	M5	M6	M7	M1	M2	M3	M5	M6	M7		
2.2	160-224	27	28	35	42	36	29	37	30	31	38	/	39	32	40	32	33	40	41	34	42	36	37	44	45	38	45		
3	112-224	30	31	38	45	39	32	40	33	34	41	/	42	35	43	36	37	44	45	38	46	36	37	44	45	38	45		
4	90-224	45	46	53	61	54	47	55	52	53	60	/	61	54	62	56	57	64	65	58	66	56	57	64	65	58	66		
5.5	63-140	63	65	74	85	76	66	77	67	69	78	/	80	70	81	77	79	88	90	80	91	77	79	88	90	80	91		
7.5	40-140	73	75	84	95	86	76	87	80	82	91	/	93	83	94	88	90	99	101	91	102	88	90	99	101	91	102		
11	28-140	/	123	142	/	143	124	144	121	123	142	162	143	124	144	129	131	150	151	132	152	129	131	150	151	132	152		
15	16-100	/	141	160	/	161	142	162	139	141	160	180	161	142	162	161	163	182	183	164	184	161	163	182	183	164	184		
18.5	10-80	/	184	214	/	215	185	217	182	184	214	246	215	185	217	200	202	232	233	203	235	200	202	232	233	203	235		
22	9-71	/	206	236	/	237	207	239	204	206	236	268	237	207	239	220	222	252	253	223	255	220	222	252	253	223	255		
30	5.6-50	/	260	310	/	308	261	310	260	260	310	360	308	261	310	280	280	330	328	281	330	280	280	330	328	281	330		
37	5-40	/	332	380	/	381	334	383	330	332	380	/	381	334	383	345	347	395	396	349	398	345	347	395	396	349	398		
45	5-31.5	/	347	395	/	396	349	398	345	347	395	/	396	349	398	365	367	415	416	369	418	365	367	415	416	369	418		

Mounting Mode	<b>F212/F312 Dimensions</b>				
Horizontal foot-mounted					
	<p>F212HA Unidirectional output shaft F312HA Unidirectional output shaft F212HC Bidirectional output shaft F312HC Bidirectional output shaft</p> <p>F212HG Hollow shaft with parallel key F312HG Hollow shaft with parallel key</p> <p>F212HI Hollow shaft with shrink disk F312HI Hollow shaft with shrink disk</p> <p>F212HK Hollow shaft with involute spline F312HK Hollow shaft with involute spline</p> <p>Horizontal foot-mounted (H) Weight:400kg ( Without motor and oil )</p>				
Flange-mounted					
	<p>F212FA Unidirectional output shaft F312FA Unidirectional output shaft F212FC Bidirectional output shaft F312FC Bidirectional output shaft</p> <p>F212FG Hollow shaft with parallel key F312FG Hollow shaft with parallel key</p> <p>F212FI Hollow shaft with shrink disk F312FI Hollow shaft with shrink disk</p> <p>F212FK Hollow shaft with involute spline F312FK Hollow shaft with involute spline</p> <p>Flange-mounted (F) Weight:454kg ( Without motor and oil )</p>				
Short flange-mounted					
	<p>F212SG Hollow shaft with parallel key F312SG Hollow shaft with parallel key</p> <p>F212SI Hollow shaft with shrink disk F312SI Hollow shaft with shrink disk</p> <p>F212SK Hollow shaft with involute spline F312SK Hollow shaft with involute spline</p> <p>Short flange-mounted (S) Weight:420kg ( Without motor and oil )</p>				
Torque arm-mounted					
Torque arm-mounted with accessory	<p>F212AG Hollow shaft with parallel key F312AG Hollow shaft with parallel key F212TG Hollow shaft with parallel key F312TG Hollow shaft with parallel key</p> <p>F212AI Hollow shaft with shrink disk F312AI Hollow shaft with shrink disk F212TI Hollow shaft with shrink disk F312TI Hollow shaft with shrink disk</p> <p>F212AK Hollow shaft with involute spline F312AK Hollow shaft with involute spline F212TK Hollow shaft with involute spline F312TK Hollow shaft with involute spline</p> <p>Torque arm-mounted (A) Weight:420kg ( Without motor and oil )</p> <p>Torque arm-mounted with accessory (T) Weight:420kg ( Without motor and oil )</p>				

Note: Involute spline size DIN 5480: m3 × Z30 × α 30 × D95 × 9H

**Corresponding motor dimension table for F212/F312**



Directly connected motor dimension table

4-pole power (kW)	Range of Ratio	MS							MH							MP							MA							D
		L1	L2	L3	L4	L5	L6	L7	L1	L2	L3	L4	L5	L6	L7	L1	L2	L3	L5	L6	L7	L1	L2	L3	L5	L6	L7			
2.2	200-224	359	399	434	494	474	474	529	359	399	434	/	474	474	529	359	399	434	474	474	529	359	414	434	494	494	539	202		
3	160-224	359	399	434	494	474	474	529	359	399	434	/	474	474	529	359	399	434	474	474	529	359	414	434	494	494	539	202		
4	125-224	355	405	430	490	480	480	535	423	473	498	/	548	548	603	423	473	498	548	548	603	423	483	498	563	563	603	220		
5.5	90-180	391	441	471	536	516	516	571	391	441	471	/	516	516	571	429	479	509	554	554	609	467	532	547	617	617	647	259		
7.5	63-180	429	479	509	574	554	554	609	429	479	509	/	554	554	609	467	517	547	592	592	647	467	532	547	617	617	647	259		
11	45-180	/	508	568	/	598	598	648	473	508	568	618	598	598	648	517	552	612	642	642	692	517	567	612	667	667	702	314		
15	31.5-140	/	552	612	/	642	642	692	517	552	612	662	642	642	692	547	582	642	672	672	722	547	597	642	697	697	732	314		
18.5	25-125	/	618	698	/	723	723	768	588	618	698	753	698	723	768	588	618	698	723	723	768	588	633	698	743	743	783	356		
22	22.4-100	/	666	746	/	771	771	816	636	666	746	801	746	771	816	636	666	746	771	771	816	636	681	746	791	791	831	356		
30	14-71	/	689	799	/	804	804	849	684	689	799	824	804	804	849	684	689	799	804	804	849	684	704	799	824	824	869	398		
37	11.2-56	/	755	840	/	870	870	915	725	755	840	/	870	870	915	725	755	840	870	870	915	725	760	840	880	880	920	446		
45	7.1-50	/	755	840	/	870	870	915	725	755	840	/	870	870	915	725	755	840	870	870	915	725	760	840	880	880	920	446		
55	5-40	/	856	981	/	991	991	1026	841	856	981	/	991	991	1036	841	856	981	991	991	1036	841	866	981	1021	1021	1041	485		
75	5-28	/	916	1026	/	1061	1061	1106	886	916	1026	/	1061	1061	1106	886	916	1026	1061	1061	1106	886	916	1026	1066	1066	1106	547		
90	5-25	/	967	1077	/	1112	1112	1157	937	967	1077	/	1112	1112	1157	937	967	1077	1112	1112	1157	937	967	1077	1117	1117	1157	547		

Directly connected motor weight table / kg

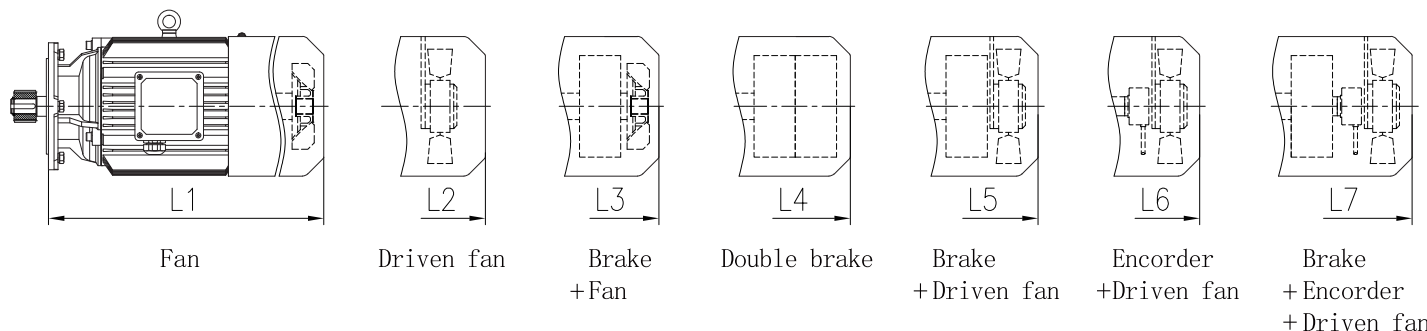
4-pole power (kW)	Range of Ratio	MS							MH							MP							MA						
		M1	M2	M3	M4	M5	M6	M7	M1	M2	M3	M4	M5	M6	M7	M1	M2	M3	M5	M6	M7	M1	M2	M3	M5	M6	M7		
2.2	200-224	27	28	35	42	36	29	37	30	31	38	/	39	32	40	32	33	40	41	34	42	36	37	44	45	38	45		
3	160-224	30	31	38	45	39	32	40	33	34	41	/	42	35	43	36	37	44	45	38	46	36	37	44	45	38	45		
4	125-224	45	46	53	61	54	47	55	52	53	60	/	61	54	62	56	57	64	65	58	66	56	57	64	65	58	66		
5.5	90-180	63	65	74	85	76	66	77	67	69	78	/	80	70	81	77	79	88	90	80	91	77	79	88	90	80	91		
7.5	63-180	73	75	84	95	86	76	87	80	82	91	/	93	83	94	88	90	99	101	91	102	88	90	99	101	91	102		
11	45-180	/	123	142	/	143	124	144	121	123	142	162	143	124	144	129	131	150	151	132	152	129	131	150	151	132	152		
15	31.5-140	/	141	160	/	161	142	162	139	141	160	180	161	142	162	161	163	182	183	164	184	161	163	182	183	164	184		
18.5	25-125	/	184	214	/	215	185	217	182	184	214	246	215	185	217	200	202	232	233	203	235	200	202	232	233	203	235		
22	22.4-100	/	206	236	/	237	207	239	204	206	236	268	237	207	239	220	222	252	253	223	255	220	222	252	253	223	255		
30	14-71	/	260	310	/	308	261	310	260	260	310	360	308	261	310	280	280	330	328	281	330	280	280	330	328	281	330		
37	11.2-56	/	332	380	/	381	334	383	330	332	380	/	381	334	383	345	347	395	396	349	398	345	347	395	396	349	398		
45	7.1-50	/	347	395	/	396	349	398	345	347	395	/	396	349	398	365	367	415	416	369	418	365	367	415	416	369	418		
55	5-40	/	436	540	/	535	436	537	435	436	540	/	535	436	537	470	471	575	570	471	572	470	471	575	570	470	572		
75	5-28	/	577	680	/	678	578	680	575	577	680	/	678	578	680	630	632	735	733	633	735	630	632	735	733	633	735		
90	5-25	/	647	750	/	748	648	750	645	647	750	/	748	648	750	710	712	815	813	713	815	710	712	815	813	713	815		

## F215/F315 Dimensions

Mounting Mode	F215/F315 Dimensions					
Horizontal foot-mounted						<p>F215HA Unidirectional output shaft F315HA Unidirectional output shaft F215HC Bidirectional output shaft F315HC Bidirectional output shaft</p> <p>F215HG Hollow shaft with parallel key F315HG Hollow shaft with parallel key</p> <p>F215HI Hollow shaft with shrink disk F315HI Hollow shaft with shrink disk</p> <p>F215HK Hollow shaft with involute spline F315HK Hollow shaft with involute spline</p> <p>Horizontal foot-mounted (H) Weight: 680kg ( Without motor and oil )</p>
Flange-mounted						<p>F215FA Unidirectional output shaft F315FA Unidirectional output shaft F215FC Bidirectional output shaft F315FC Bidirectional output shaft</p> <p>F215FG Hollow shaft with parallel key F315FG Hollow shaft with parallel key</p> <p>F215FI Hollow shaft with shrink disk F315FI Hollow shaft with shrink disk</p> <p>F215FK Hollow shaft with involute spline F315FK Hollow shaft with involute spline</p> <p>Flange-mounted (F) Weight: 780kg ( Without motor and oil )</p>
Short flange-mounted						<p>F215SG Hollow shaft with parallel key F315SG Hollow shaft with parallel key</p> <p>F215SI Hollow shaft with shrink disk F315SI Hollow shaft with shrink disk</p> <p>F215SK Hollow shaft with involute spline F315SK Hollow shaft with involute spline</p> <p>Short flange-mounted (S) Weight: 715kg ( Without motor and oil )</p>
Torque arm-mounted						<p>F215AG Hollow shaft with parallel key F315AG Hollow shaft with parallel key F215TG Hollow shaft with parallel key F315TG Hollow shaft with parallel key</p> <p>F215AI Hollow shaft with shrink disk F315AI Hollow shaft with shrink disk F215TI Hollow shaft with shrink disk F315TI Hollow shaft with shrink disk</p> <p>F215AK Hollow shaft with involute spline F315AK Hollow shaft with involute spline F215TK Hollow shaft with involute spline F315TK Hollow shaft with involute spline</p> <p>Torque arm-mounted (A) Weight: 715kg ( Without motor and oil )</p> <p>Torque arm-mounted with accessory (T) Weight: 715kg ( Without motor and oil )</p>

Note: Involute spline size DIN 5480: m3 × Z38 × α30 × D120 × 9H

**Corresponding motor dimension table for F215/F315**



Directly connected motor dimension table

4-pole power (kW)	Range of Ratio	MS							MH							MP							MA							D
		L1	L2	L3	L4	L5	L6	L7	L1	L2	L3	L4	L5	L6	L7	L1	L2	L3	L5	L6	L7	L1	L2	L3	L5	L6	L7			
7.5	112-180	429	479	509	574	554	554	609	429	479	509	/	554	554	609	467	517	547	592	592	647	467	532	547	617	617	647	259		
11	71-180	/	493	553	/	583	583	633	458	493	553	603	583	583	633	502	537	597	627	627	677	502	552	597	652	652	687	314		
15	56-180	/	537	597	/	627	627	677	502	537	597	647	627	627	677	532	567	627	657	657	707	532	582	627	682	682	717	314		
18.5	45-180	/	603	683	/	708	708	753	573	603	683	738	683	708	753	573	603	683	708	708	753	573	618	683	728	728	768	356		
22	35.5-180	/	651	731	/	756	756	801	621	651	731	786	731	756	801	621	651	731	756	756	801	621	666	731	776	776	816	356		
30	28-125	/	679	789	/	794	794	839	674	679	789	814	794	794	839	674	679	789	794	794	839	674	694	789	814	814	859	398		
37	20-100	/	745	830	/	860	860	905	715	745	830	/	860	860	905	715	745	830	860	860	905	715	750	830	870	870	910	446		
45	16-80	/	745	830	/	860	860	905	715	745	830	/	860	860	905	715	745	830	860	860	905	715	750	830	870	870	910	446		
55	12.5-71	/	846	971	/	981	981	1016	831	846	971	/	981	981	1026	831	846	971	981	981	1026	831	856	971	1011	1011	1031	485		
75	8-50	/	906	1016	/	1051	1051	1096	876	906	1016	/	1051	1051	1096	876	906	1016	1051	1051	1096	876	906	1016	1056	1056	1096	547		
90	7.1-40	/	957	1067	/	1102	1102	1147	927	957	1067	/	1102	1102	1147	927	957	1067	1102	1102	1147	927	957	1067	1107	1107	1147	547		

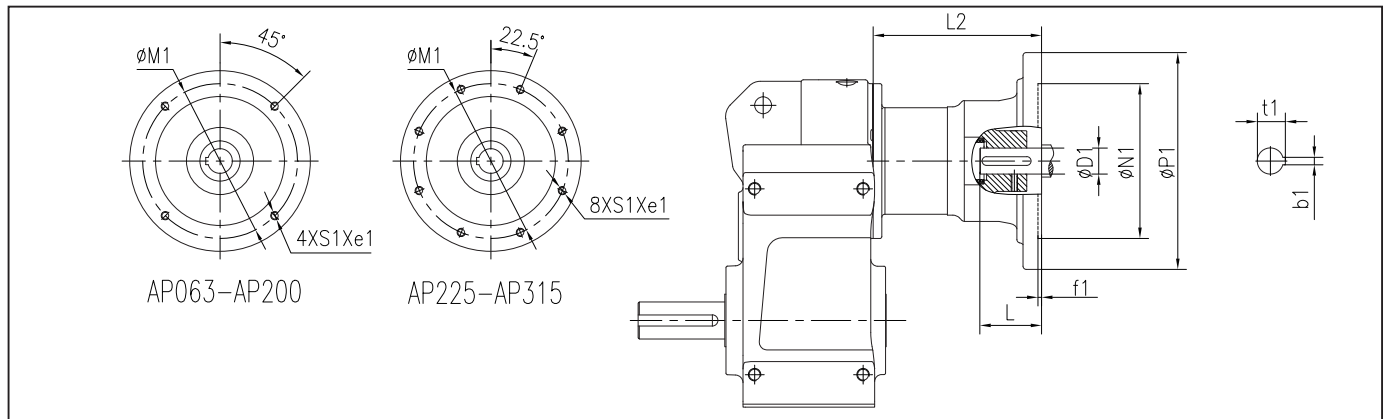
Directly connected motor weight table / kg

4-pole power (kW)	Range of Ratio	MS							MH							MP							MA						
		M1	M2	M3	M4	M5	M6	M7	M1	M2	M3	M4	M5	M6	M7	M1	M2	M3	M5	M6	M7	M1	M2	M3	M5	M6	M7		
7.5	112-180	73	75	84	95	86	76	87	80	82	91	/	93	83	94	88	90	99	101	91	102	88	90	99	101	91	102		
11	71-180	/	123	142	/	143	124	144	121	123	142	162	143	124	144	129	131	150	151	132	152	129	131	150	151	132	152		
15	56-180	/	141	160	/	161	142	162	139	141	160	180	161	142	162	161	163	182	183	164	184	161	163	182	183	164	184		
18.5	45-180	/	184	214	/	215	185	217	182	184	214	246	215	185	217	200	202	232	233	203	235	200	202	232	233	203	235		
22	35.5-180	/	206	236	/	237	207	239	204	206	236	268	237	207	239	220	222	252	253	223	255	220	222	252	253	223	255		
30	28-125	/	260	310	/	308	261	310	260	260	310	360	308	261	310	280	280	330	328	281	330	280	280	330	328	281	330		
37	20-100	/	332	380	/	381	334	383	330	332	380	/	381	334	383	345	347	395	396	349	398	345	347	395	396	349	398		
45	16-80	/	347	395	/	396	349	398	345	347	395	/	396	349	398	365	367	415	416	369	418	365	367	415	416	369	418		
55	12.5-71	/	436	540	/	535	436	537	435	436	540	/	535	436	537	470	471	575	570	471	572	470	471	575	570	470	572		
75	8-50	/	577	680	/	678	578	680	575	577	680	/	678	578	680	630	632	735	733	633	735	630	632	735	733	633	735		
90	7.1-40	/	647	750	/	748	648	750	645	647	750	/	748	648	750	710	712	815	813	713	815	710	712	815	813	713	815		

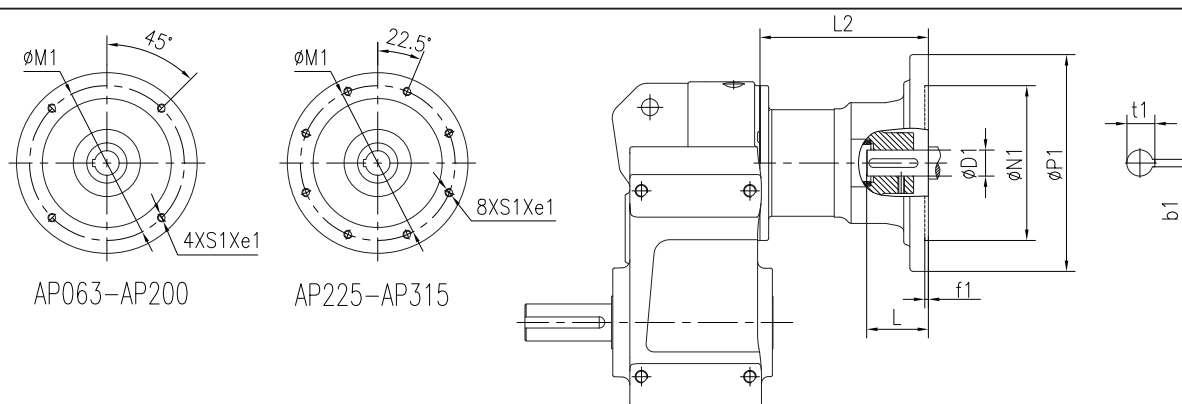


## 7 Input Flange and Input Shaft

### 7.1 F series dimensions of AP input flange



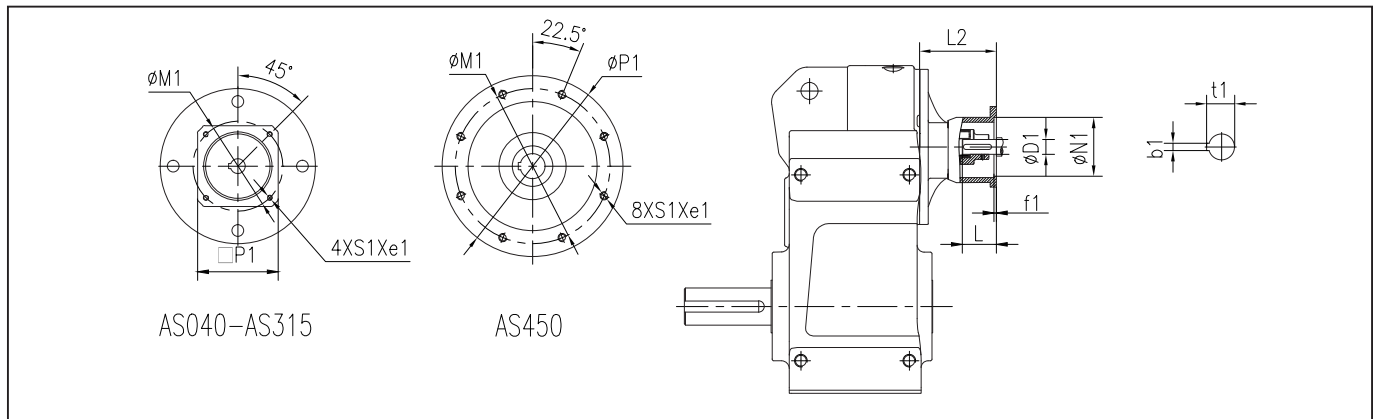
Size	Flange	Range of Ratio	e1	D1	N1	M1	P1	f1	b1	t1	L	S1	L2	Weight (kg)
F202 F302	AP063	4-112	14	11H7	95H7	115	140	4	4	12.8	23	M8	59	4.8
	AP071	4-112	14	14H7	110H7	130	160	4	5	16.3	30	M8	59	4.8
	AP080	4-50	18	19H7	130H7	165	200	4	6	21.8	40	M10	74	7.6
F203 F303	AP063	4-125	14	11H7	95H7	115	140	4	4	12.8	23	M8	59	4.8
	AP071	4-125	14	14H7	110H7	130	160	4	5	16.3	30	M8	59	4.8
	AP080	4-80	18	19H7	130H7	165	200	4	6	21.8	40	M10	74	7.6
F204 F304	AP063	4.5-160	14	11H7	95H7	115	140	4	4	12.8	23	M8	61	5.1
	AP071	4.5-160	14	14H7	110H7	130	160	4	5	16.3	30	M8	61	5.1
	AP080	4.5-140	18	19H7	130H7	165	200	4	6	21.8	40	M10	76	8.6
	AP090	4.5-71	18	24H7	130H7	165	200	4	8	27.3	50	M10	81	9.2
	AP100	4.5-40	28	28H7	180H7	215	250	5	8	31.3	60	M12	191	14.1
	AP112	4.5-20	28	28H7	180H7	215	250	5	8	31.3	60	M12	191	14.1
F205 F305	AP063	4-140	14	11H7	95H7	115	140	4	4	12.8	23	M8	61	5.1
	AP071	4-140	14	14H7	110H7	130	160	4	5	16.3	30	M8	61	5.1
	AP080	4-140	18	19H7	130H7	165	200	4	6	21.8	40	M10	76	8.6
	AP090	4-80	18	24H7	130H7	165	200	4	8	27.3	50	M10	81	9.2
	AP100	4-56	28	28H7	180H7	215	250	5	8	31.3	60	M12	191	14.1
	AP112	4-31.5	28	28H7	180H7	215	250	5	8	31.3	60	M12	191	14.1
F206 F306	AP063	4-200	14	11H7	95H7	115	140	4	4	12.8	23	M8	61	5.1
	AP071	4-200	14	14H7	110H7	130	160	4	5	16.3	30	M8	61	5.1
	AP080	4-200	18	19H7	130H7	165	200	4	6	21.8	40	M10	76	8.6
	AP090	4-112	18	24H7	130H7	165	200	4	8	27.3	50	M10	81	9.2
	AP100	4-80	28	28H7	180H7	215	250	5	8	31.3	60	M12	191	14.1
	AP112	4-40	28	28H7	180H7	215	250	5	8	31.3	60	M12	191	14.1
F207 F307	AP071	20-250	14	14H7	110H7	130	160	4	5	16.3	30	M8	53	6.7
	AP080	20-250	18	19H7	130H7	165	200	4	6	21.8	40	M10	68	10.3
	AP090	4-160	18	24H7	130H7	165	200	4	8	27.3	50	M10	73	11.1
	AP100	4-140	28	28H7	180H7	215	250	5	8	31.3	60	M12	181	15.5
	AP112	4-80	28	28H7	180H7	215	250	5	8	31.3	60	M12	181	15.5
	AP132	4-56	28	38H7	230H7	265	300	5	10	41.3	80	M12	210	22.3



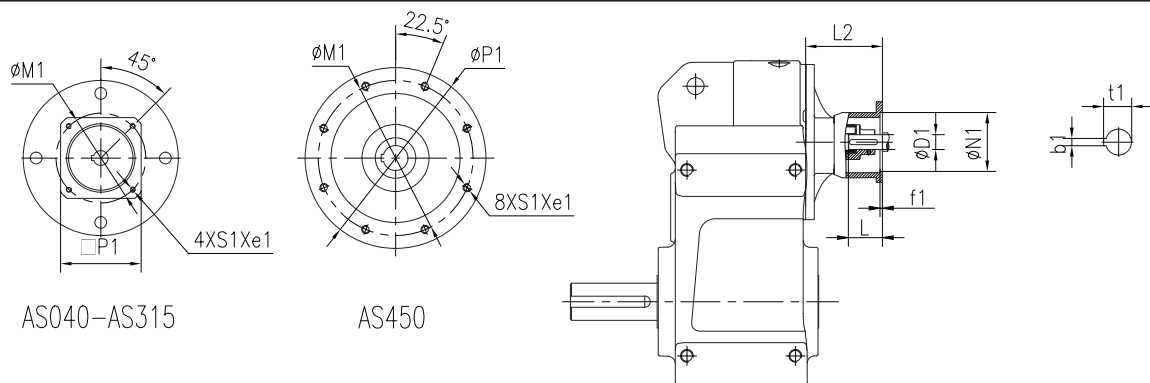
Size	Flange	Range of Ratio	e1	D1	N1	M1	P1	f1	b1	t1	L	S1	L2	Weight (kg)
F208 F308	AP080	112-250	18	19H7	130H7	165	200	4	6	21.8	40	M10	65	10.4
	AP090	4-200	18	24H7	130H7	165	200	4	8	27.3	50	M10	66	12.1
	AP100	4-200	28	28H7	180H7	215	250	5	8	31.3	60	M12	171	18.2
	AP112	4-160	28	28H7	180H7	215	250	5	8	31.3	60	M12	171	18.2
	AP132	4-100	28	38H7	230H7	265	300	5	10	41.3	80	M12	203	24.9
	AP160	4-50	40	42H7	250H7	300	350	6	12	45.3	110	M16	272	46.4
	AP180	4-31.5	40	48H7	250H7	300	350	6	14	51.8	110	M16	272	46.4
F209 F309	AP090	4-250	18	24H7	130H7	165	200	4	8	27.3	50	M10	70	14.7
	AP100	4-250	28	28H7	180H7	215	250	5	8	31.3	60	M12	172	21.5
	AP112	4-224	28	28H7	180H7	215	250	5	8	31.3	60	M12	172	21.5
	AP132	4-140	28	38H7	230H7	265	300	5	10	41.3	80	M12	202	28.3
	AP160	4-80	40	42H7	250H7	300	350	6	12	45.3	110	M16	270	49.9
	AP180	4-45	40	48H7	250H7	300	350	6	14	51.8	110	M16	270	49.9
	AP200	4-28	40	55H7	300H7	350	400	6	16	59.3	110	M16	327	72.8
F210 F310	AP100	16-224	28	28H7	180H7	215	250	5	8	31.3	60	M12	162	25.6
	AP112	16-224	28	28H7	180H7	215	250	5	8	31.3	60	M12	162	25.6
	AP132	5-140	28	38H7	230H7	265	300	5	10	41.3	80	M12	189	33.7
	AP160	5-140	40	42H7	250H7	300	350	6	12	45.3	110	M16	257	52.3
	AP180	5-80	40	48H7	250H7	300	350	6	14	51.8	110	M16	257	52.3
	AP200	5-50	40	55H7	300H7	350	400	6	16	59.3	110	M16	327	77.4
	AP225	5-40	30	60H7	350H7	400	450	6	18	64.4	140	M16	354	85.1
F212 F312	AP132	5-180	28	38H7	230H7	265	300	5	10	41.3	80	M12	175	46.4
	AP160	5-180	40	42H7	250H7	300	350	6	12	45.3	110	M16	243	66.9
	AP180	5-125	40	48H7	250H7	300	350	6	14	51.8	110	M16	243	66.9
	AP200	5-71	40	55H7	300H7	350	400	6	16	59.3	110	M16	316	89.8
	AP225	5-56	30	60H7	350H7	400	450	6	18	64.4	140	M16	343	97.5
	AP250	5-40	32	65H7	450H7	500	550	7	18	69.4	140	M16	361	131.3
	AP280	5-28	32	75H7	450H7	500	550	7	20	79.9	140	M16	361	131.3
F215 F315	AP160	14-180	40	42H7	250H7	300	350	6	12	45.3	110	M16	233	90.9
	AP180	14-180	40	48H7	250H7	300	350	6	14	51.8	110	M16	233	90.9
	AP200	6.3-125	40	55H7	300H7	350	400	6	16	59.3	110	M16	298	109.4
	AP225	6.3-100	30	60H7	350H7	400	450	6	18	64.4	140	M16	325	117.1
	AP250	6.3-71	32	65H7	450H7	500	550	7	18	69.4	140	M16	343	147.8
	AP280	6.3-50	32	75H7	450H7	500	550	7	20	79.9	140	M16	343	147.8
	AP315	6.3-35.5	35	80H7	550H7	600	660	7	22	85.4	170	M20	447	262.5



## 7.2 F series dimensions of AS input flange

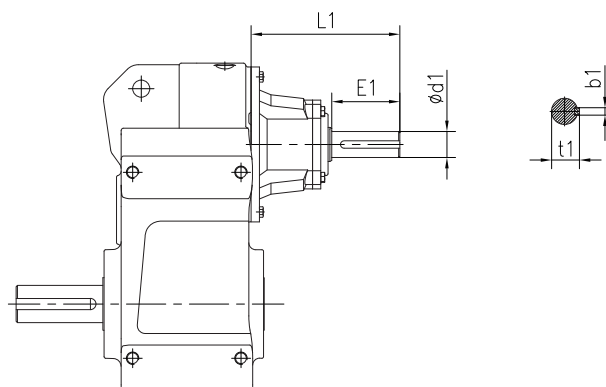


Size	Flange	Range of Ratio	e1	D1	N1	M1	P1	f1	b1	t1	L	S1	L2	Weight (kg)
F202 F302	AS040	4-112	4	8H7	30H7	46	78	4	2	9	25	M4	65	2.5
	AS055	4-112	4	9H7	40H7	63	78	4	3	10.4	25	M5	65	2.5
	AS060	4-112	10	14H7	50H7	70	60	4	5	16.3	30	M5	114	3.2
	AS070	4-112	10	14H7	60H7	75	70	4	5	16.3	30	M5	114	3.3
	AS080	4-112	10	19H7	70H7	90	80	4	6	21.8	35	M6	120	3.4
	AS090	4-112	10	19H7	80H7	100	90	4	6	21.8	40	M6	125	3.6
	AS100	4-63	14	19H7	95H7	115	100	4	6	21.8	45	M8	122	3.9
	AS125	4-63	15	24H7	110H7	130	130	5	8	27	50	M8	133	4.9
F203 F303	AS140	4-63	15	24H7	110H7	145	130	5.5	8	27	55	M8	133	4.8
	AS040	4-125	4	8H7	30H7	46	78	4	2	9	25	M4	65	2.5
	AS055	4-125	4	9H7	40H7	63	78	4	3	10.4	25	M5	65	2.5
	AS060	4-125	10	14H7	50H7	70	60	4	5	16.3	30	M5	114	3.2
	AS070	4-125	10	14H7	60H7	75	70	4	5	16.3	30	M5	114	3.3
	AS080	4-125	10	19H7	70H7	90	80	4	6	21.8	35	M6	120	3.4
	AS090	4-125	10	19H7	80H7	100	90	4	6	21.8	40	M6	125	3.6
	AS100	4-71	14	19H7	95H7	115	100	4	6	21.8	45	M8	122	3.9
F204 F304	AS125	4-71	15	24H7	110H7	130	130	5	8	27	50	M8	133	4.9
	AS140	4-71	15	24H7	110H7	145	130	5.5	8	27	55	M8	133	4.8
	AS060	4.5-160	10	14H7	50H7	70	60	4	5	16.3	30	M5	116	4.1
	AS070	4.5-160	10	14H7	60H7	75	70	4	5	16.3	30	M5	116	4.2
	AS080	4.5-160	10	19H7	70H7	90	80	4	6	21.8	35	M6	122	4.3
	AS090	4.5-160	10	19H7	80H7	100	90	4	6	21.8	40	M6	127	4.5
	AS100	4.5-100	14	19H7	95H7	115	100	4	6	21.8	45	M8	124	4.8
	AS125	4.5-100	15	24H7	110H7	130	130	5	8	27	50	M8	135	5.8
F205 F305	AS140	4.5-100	15	24H7	110H7	145	130	5.5	8	27	55	M8	135	5.7
	AS160	4.5-100	15	32H7	130H7	165	155	5	10	35.3	60	M10	190	9.9
	AS060	4-140	10	14H7	50H7	70	60	4	5	16.3	30	M5	116	4.1
	AS070	4-140	10	14H7	60H7	75	70	4	5	16.3	30	M5	116	4.2
	AS080	4-140	10	19H7	70H7	90	80	4	6	21.8	35	M6	122	4.3
	AS090	4-140	10	19H7	80H7	100	90	4	6	21.8	40	M6	127	4.5
	AS100	4-80	14	19H7	95H7	115	100	4	6	21.8	45	M8	124	4.8
	AS125	4-80	15	24H7	110H7	130	130	5	8	27	50	M8	135	5.8
F206 F306	AS140	4-80	15	24H7	110H7	145	130	5.5	8	27	55	M8	135	5.7
	AS160	4-80	15	32H7	130H7	165	155	5	10	35.3	60	M10	190	9.9
	AS060	4-200	10	14H7	50H7	70	60	4	5	16.3	30	M5	116	4.1
	AS070	4-200	10	14H7	60H7	75	70	4	5	16.3	30	M5	116	4.2
	AS080	4-200	10	19H7	70H7	90	80	4	6	21.8	35	M6	122	4.3
	AS090	4-200	10	19H7	80H7	100	90	4	6	21.8	40	M6	127	4.5
	AS100	4-112	14	19H7	95H7	115	100	4	6	21.8	45	M8	124	4.8
	AS125	4-112	15	24H7	110H7	130	130	5	8	27	50	M8	135	5.8
AS140	4-112	15	24H7	110H7	145	130	5.5	8	27	55	M8	135	5.7	
AS160	4-112	15	32H7	130H7	165	155	5	10	35.3	60	M10	190	9.9	

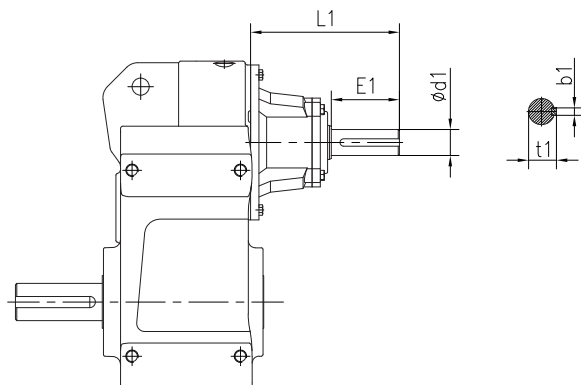


Size	Flange	Range of Ratio	e1	D1	N1	M1	P1	f1	b1	t1	L	S1	L2	Weight (kg)
F207 F307	AS060	20-250	10	14H7	50H7	70	60	4	5	16.3	30	M5	108	5.6
	AS070	20-250	10	14H7	60H7	75	70	4	5	16.3	30	M5	108	5.7
	AS080	20-250	10	19H7	70H7	90	80	4	6	21.8	35	M6	114	5.8
	AS090	20-250	10	19H7	80H7	100	90	4	6	21.8	40	M6	119	6
	AS100	4-160	14	19H7	95H7	115	100	4	6	21.8	45	M8	116	6.3
	AS125	4-160	15	24H7	110H7	130	130	5	8	27	50	M8	127	7.3
	AS140	4-160	15	24H7	110H7	145	130	5.5	8	27	55	M8	127	7.2
	AS160	4-160	15	32H7	130H7	165	155	5	10	35.3	60	M10	180	11.3
	AS180	4-71	16	35H7	114. 3H7	200	180	7	10	38.3	80	M12	210	16.7
AS190	4-71	18	38H7	180H7	215	190	5	10	41.3	80	M12	210	17.1	
AS240	4-71	28	38H7	230H7	265	240	5	10	41.3	80	M12	210	22.3	
F208 F308	AS070	112-250	10	14H7	60H7	75	70	4	5	16.3	30	M5	105	8
	AS080	112-250	10	19H7	70H7	90	80	4	6	21.8	35	M6	111	8.1
	AS090	112-250	10	19H7	80H7	100	90	4	6	21.8	40	M6	116	8.3
	AS100	4-200	14	19H7	95H7	115	100	4	6	21.8	45	M8	113	8.6
	AS125	4-200	15	24H7	110H7	130	130	5	8	27	50	M8	124	9.6
	AS140	4-200	15	24H7	110H7	145	130	5.5	8	27	55	M8	124	9.5
	AS160	4-200	15	32H7	130H7	165	155	5	10	35.3	60	M10	170	14
	AS180	4-100	16	35H7	114. 3H7	200	180	7	10	38.3	80	M12	203	19.3
	AS190	4-100	18	38H7	180H7	215	190	5	10	41.3	80	M12	203	19.7
AS240	4-100	28	38H7	230H7	265	240	5	10	41.3	80	M12	203	24.9	
AS260	4-100	40	48H7	250H7	300	260	6	14	51.8	110	M16	272	46.4	
F209 F309	AS160	4-250	15	32H7	130H7	165	155	5	10	35.3	60	M10	171	17.3
	AS180	4-140	16	35H7	114. 3H7	200	180	7	10	38.3	80	M12	202	22.7
	AS190	4-140	18	38H7	180H7	215	190	5	10	41.3	80	M12	202	23.1
	AS240	4-140	28	38H7	230H7	265	240	5	10	41.3	80	M12	202	28.3
	AS260	4-140	40	48H7	250H7	300	260	6	14	51.8	110	M16	271	49.9
	AS315	4-100	40	55H7	300H7	350	315	6	16	59.3	110	M16	327	72.8
F210 F310	AS160	16-224	15	32H7	130H7	165	155	5	10	35.3	60	M10	161	21.4
	AS180	5-140	16	35H7	114. 3H7	200	180	7	10	38.3	80	M12	189	28.1
	AS190	5-140	18	38H7	180H7	215	190	5	10	41.3	80	M12	189	28.5
	AS240	5-140	28	38H7	230H7	265	240	5	10	41.3	80	M12	189	33.7
	AS260	5-140	40	48H7	250H7	300	260	6	14	51.8	110	M16	258	52.3
	AS315	5-112	40	55H7	300H7	350	315	6	16	59.3	110	M16	327	77.4
F212 F312	AS180	5-180	16	35H7	114. 3H7	200	180	7	10	38.3	80	M12	175	40.8
	AS190	5-180	18	38H7	180H7	215	190	5	10	41.3	80	M12	175	41.2
	AS240	5-180	28	38H7	230H7	265	240	5	10	41.3	80	M12	175	46.4
	AS260	5-180	40	48H7	250H7	300	260	6	14	51.8	110	M16	244	66.9
	AS315	5-140	40	55H7	300H7	350	315	6	16	59.3	110	M16	316	89.8
	AS450	5-112	30	55H7	350H7	400	450	6	16	59.3	140	M16	343	97.5
F215 F315	AS260	14-180	40	48H7	250H7	300	260	6	14	51.8	110	M16	234	90.9
	AS315	6.3-125	40	55H7	300H7	350	315	6	16	59.3	110	M16	298	109.4
	AS450	6.3-100	30	55H7	350H7	400	450	6	16	59.3	140	M16	325	117.1

### 7.3 F series dimensions of AE input shaft

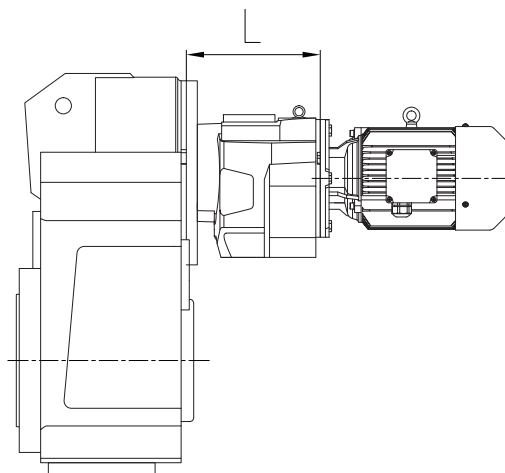


Size	Input Shaft	Range of Power	Range of Ratio	d1	E1	L1	b1	t1	Weight (kg)
F202 F302	AE2	0.12-0.75kW	4-112	19k6	40	117	6	21.5	2.5
F203 F303	AE2	0.12-0.75kW	4-125	19k6	40	117	6	21.5	2.5
F204 F304	AE2	0.12-0.75kW	4.5-160	19k6	40	119	6	21.5	3.4
	AE3	1.1-4kW	4.5-50	28k6	60	175	8	31	6.1
F205 F305	AE2	0.12-0.75kW	4-140	19k6	40	119	6	21.5	3.4
	AE3	1.1-4kW	4-80	28k6	60	175	8	31	6.1
F206 F306	AE2	0.12-0.75kW	4-200	19k6	40	119	6	21.5	3.4
	AE3	1.1-4kW	4-112	28k6	60	175	8	31	6.1
F207 F307	AE2	0.12-0.75kW	20-250	19k6	40	111	6	21.5	4.9
	AE3	1.1-4kW	4-160	28k6	60	165	8	31	7.5
	AE4	5.5-7.5kW	4-40	38k6	80	211	10	41	10.5
F208 F308	AE2	0.12-0.75kW	112-250	19k6	40	108	6	21.5	7.2
	AE3	1.1-4kW	4-200	28k6	60	155	8	31	10.2
	AE4	5.5-11kW	4-80	38k6	80	204	10	41	13.1
	AE5	15-22kW	4-40	42k6	110	266	12	45	23.3



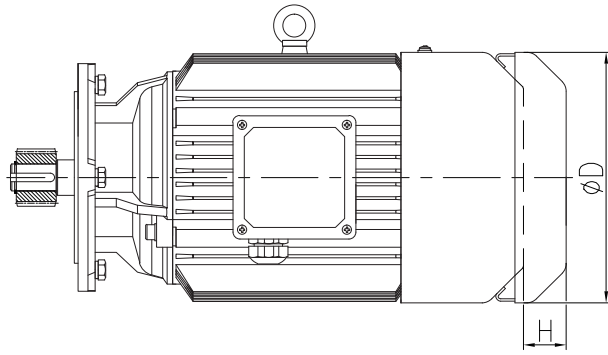
Size	Input Shaft	Range of Power	Range of Ratio	d1	E1	L1	b1	t1	Weight (kg)
F209 F309	AE3	1.1-4kW	4-250	28k6	60	156	8	31	10.2
	AE4	5.5-11kW	4-112	38k6	80	203	10	41	13.1
	AE5	15-22kW	4-56	42k6	110	265	12	45	23.3
	AE6	30-45KW	4-28	48k6	110	309	14	51.5	40.9
F210 F310	AE3	1.1-4kW	16-224	28k6	60	146	8	31	17.6
	AE4	5.5-11kW	5-140	38k6	80	190	10	41	21.9
	AE5	15-22kW	5-100	42k6	110	252	12	45	29.2
	AE6	30-45KW	5-50	48k6	110	309	14	51.5	45.5
F212 F312	AE4	5.5-11kW	5-180	38k6	80	176	10	41	34.6
	AE5	15-22kW	5-140	42k6	110	238	12	45	43.8
	AE6	30-45KW	5-71	48k6	110	298	14	51.5	57.9
	AE7	55-90KW	5-40	55m6	110	297	16	59	64.6
	AE8	110-200KW	5-20	70m6	140	377	20	74.5	87.8
F215 F315	AE5	15-22KW	14-180	42k6	110	228	12	45	67.8
	AE6	30-45KW	6.3-125	48k6	110	280	14	51.5	77.5
	AE7	55-90KW	6.3-71	55m6	110	279	16	59	81.1
	AE8	110-200KW	6.3-35.5	70m6	140	361	20	74.5	104.8

## 8 Combi-type Dimensions



Type	F302/C201 F302/C301	F203/C201 F303/C201 F303/C301	F204/C203 F304/C203 F304/C303	F205/C203 F305/C203 F305/C303	F306/C203 F306/C303	F207/C203 F307/C203 F307/C303
L	134	134	170	170	170	170
Range of Motor Power (kW)	0.12-0.25	0.12-0.37	0.12-0.55	0.12-0.75	0.12-1.1	0.12-1.5
Type	F208/C205 F308/C205 F308/C305	F209/C205 F309/C205 F309/C305	F210/C207 F310/C207 F310/C307	F312/C207 F312/C307	F212/C208	F215/C209 F315/C209 F315/C309
L	182	182	226	226	264	321
Range of Motor Power (kW)	0.12-4	0.12-4	0.12-7.5	0.12-11	0.55-11	0.55-22

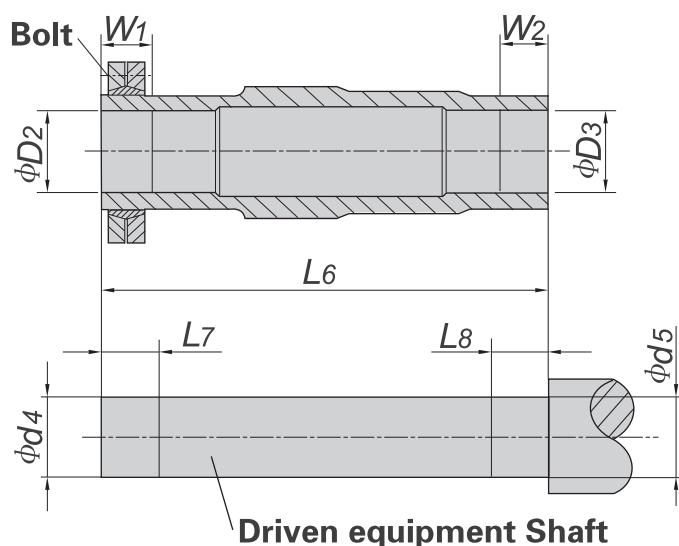
## 9 Motor Rainproof Cover Dimensions



Frame Size	H63	H71	H80	H90	H100	H112	H132	H160	H180	H200	H225	H250	H280
D	124	139	159	176	199	220	259	314	356	398	446	485	547
H	20	25	25	30	35	35	40	55	60	65	70	75	80

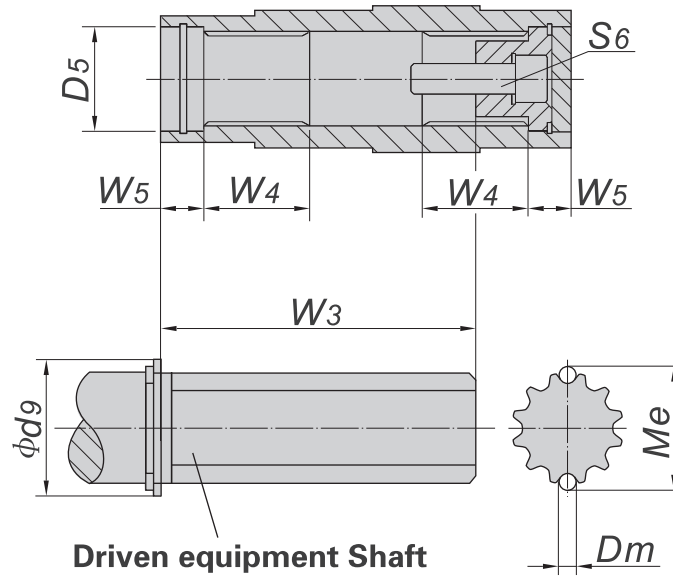
## 10 Recommended Dimensions for Driven Equipment Shaft

### 10.1 Shrink disk



Size	D2	D3	d4	d5	L6	L7	L8	W1	W2	Type	Bolt	weight
F202 F302	25H7	25H7	25h6	25h6	128	35	35	30	30	SP2-36×72	M6	0.5
F203 F303	30H7	30H7	30h6	30h6	146	35	25	30	20	SP2-44×80	M6	0.6
F204 F304	35H7	35H7	35h6	35h6	177	35	25	30	20	SP2-44×80	M6	0.6
F205 F305	40H7	40H7	40h6	40h6	195	40	30	35	25	SP2-50×90	M6	0.8
F206 F306	40H7	40H7	40h6	40h6	208	43	25	38	20	SP2-50×90	M6	0.8
F207 F307	50H7	50H7	50h6	50h6	241	41	35	36	30	SP2-62×110	M6	1.3
F208 F308	65H7	65H7	65h6	65h6	281	46	45	41	40	SP2-80×145	M8	1.9
F209 F309	75H7	75H7	75h6	75h6	345	60	55	55	50	SP2-90×155	M8	3.3
F210 F310	95H7	95H7	95h6	95h6	405	75	70	65	60	SP2-110×185	M10	5.9
F212 F312	105H7	105H7	105h6	105h6	485	95	80	85	70	SP2-140×230	M12	10
F215 F315	125H7	125H7	125h6	125h6	580	100	87	90	77	SP2-155×263	M12	15

10.2 Involute spline

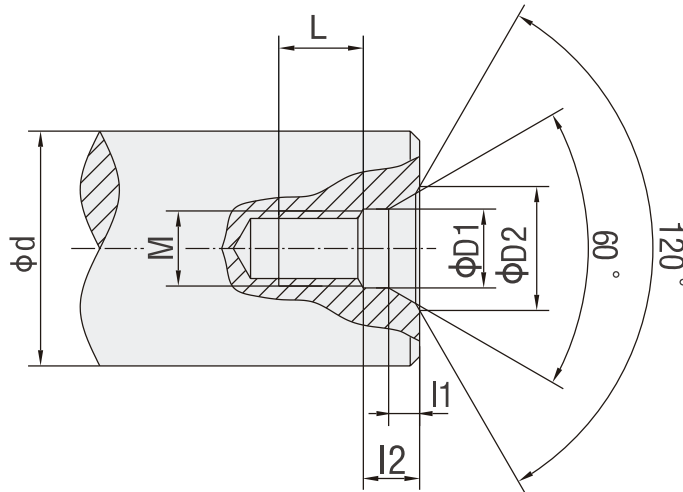


Size	D5	Dm	d9	Me	W3	W4	W5	S6
F202 F302	32	2.25	36	20.28	72	25	18	M10×30
F203 F303	37	2.25	42	25.28	85	25	18	M10×30
F204 F304	37	3.5	42	27.71	115	32	18	M10×30
F205 F305	42	3.5	47	27.71	125	42	25	M16×40
F206 F306	42	3.5	47	27.71	140	42	25	M16×40
F207 F307	55	3.5	62	42.62	160	52	23	M16×50
F208 F308	72	3.5	82	57.65	180	62	25	M20×60
F209 F309	72	3.5	90	62.66	240	72	25	M20×60
F210 F310	90	5.25	105	73.92	290	89	26	M20×60
F212 F312	100	5.25	120	84.11	380	92	28	M24×50
F215 F315	120	5.25	140	109.11	455	107	30	M24×50



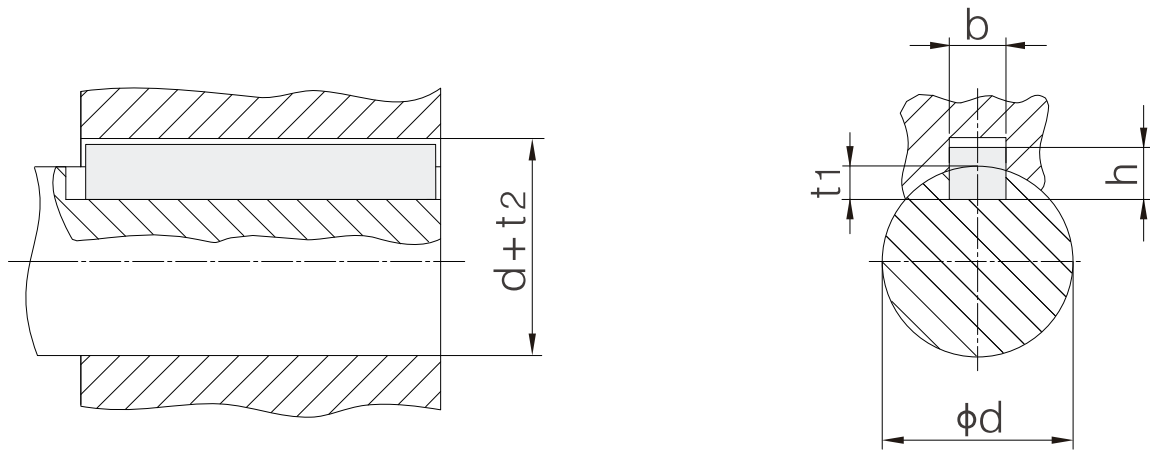
## 11 Shaft End Centre Hole

Type C screw central hole in shaft end



d	M	L	l2	l1	D1	D2
$7 < d \leq 10$	M3	10	2.6	1.8	3.2	5.8
$10 < d \leq 13$	M4	10	3.2	2.1	4.3	7.4
$13 < d \leq 16$	M5	10	4	2.4	5.3	8.8
$16 < d \leq 21$	M6	12	5	2.8	6.4	10.5
$21 < d \leq 24$	M8	12	6	3.3	8.4	13.2
$24 < d \leq 30$	M10	15	7.5	3.8	10.5	16.3
$30 < d \leq 38$	M12	20	9.5	4.4	13	19.8
$38 < d \leq 50$	M16	25	12	5.2	17	25.3
$50 < d \leq 85$	M20	30	15	6.4	21	31.3
$85 < d \leq 130$	M24	35	18	8	25	38
$130 < d \leq 225$	M30	45	18	11	31	48

## 12 Dimension of Parallel Key and Keyway



d	b	h	t <sub>1</sub>	d + t <sub>2</sub>
8 < d ≤ 10	3	3	1.8	d + 1.4
10 < d ≤ 12	4	4	2.5	d + 1.8
12 < d ≤ 17	5	5	3	d + 2.3
17 < d ≤ 22	6	6	3.5	d + 2.8
22 < d ≤ 30	8	7	4	d + 3.3
30 < d ≤ 38	10	8	5	d + 3.3
38 < d ≤ 44	12	8	5	d + 3.3
44 < d ≤ 50	14	9	5.5	d + 3.8
50 < d ≤ 58	16	10	6	d + 4.3
58 < d ≤ 65	18	11	7	d + 4.4
65 < d ≤ 75	20	12	7.5	d + 4.9
75 < d ≤ 85	22	14	9	d + 5.4
75 < d ≤ 85	25	14	9	d + 5.4
95 < d ≤ 110	28	16	10	d + 6.4
110 < d ≤ 130	32	18	11	d + 7.4
130 < d ≤ 150	36	20	12	d + 8.4
150 < d ≤ 170	40	22	13	d + 9.4
170 < d ≤ 200	45	25	15	d + 10.4
200 < d ≤ 230	50	28	17	d + 11.4
230 < d ≤ 260	56	32	20	d + 12.4

## 13 Oil

Mounting position Size	D01	D02	D03	D04	D05	D06
F202 F302	0.7	0.9	1	1	0.9	0.8
F203 F303	1.2	1.4	1.3	1.5	1.3	1.1
F204 F304	1.8	2.1	2.2	2.3	2.2	1.9
F205 F305	2.1	2.8	2.5	2.9	2.4	2.3
F206 F306	3.1	3.9	4.1	4.2	3.9	3.3
F207 F307	5.8	7.8	7.6	8.6	7.2	6.8
F208 F308	10.9	14.8	13.7	14.7	13.2	11.3
F209 F309	20	28	27	26	24	21
F210 F310	25	37	35	36	32	27
F212 F312	43	65	58	66	56	59
F215 F315	75	125	101	116	97	84



★ Manufacturing Base    ▲ Assembly Company    ▣ Sales Company    ● Office    ■ Dealer

**BonengTransmission(India)Pvt.Ltd**

402, 4th floor,8, Deepshikha Building,  
Rajendra Place, New Delhi-110008  
E-mail: india@boneng.com  
TEL: +91-11-45076293

**Mumbai Office**

No.603,Bhumiraj Costa Rica Commercial  
Building,Plot1&2,Palm Beach Road,Sector18,  
Sanpada,Navi Mumbai 400705 India  
TEL: +91-22-2781-3385  
FAX: +91-22-2781-3386

**BonengTransmission(USA)LLC.**

1670 ENTERPRISE PARKWAY,  
TWINSBURG,OH 44087  
E-mail: america@boneng.com  
TEL: 1-330-425-1516  
FAX: 1-330-425-1519

Along with the technology advancedet.,the product of the manual of Boneng will be changed,please forgive.

**BONENG**

**BONENG TRANSMISSION (SUZHOU) CO.,LTD**

100#, Ruyuan Rd.,Xiangcheng District,Suzhou,China

[www.boneng.com](http://www.boneng.com)